

# ILLUSTRATED PARTS MANUAL

FOR

# ROKON

## UTILITY VEHICLES



AMERICAN  
ENGINEERED AND MANUFACTURED

Rokon International Inc  
50 Railroad Avenue  
Rochester, NH 03839

Tel: (603) 335-3200

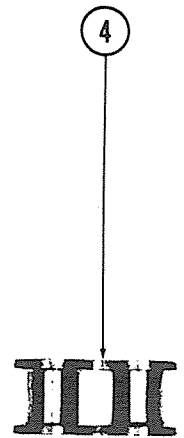
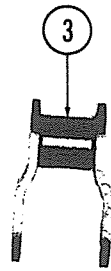
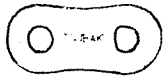
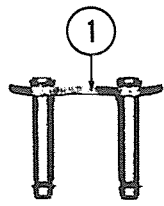
Fax: (603) 335-4400

JANUARY 1991

ILLUSTRATED PARTS MANUAL-----INDEX-----

1	Chains — All Models
2, 3	Pull Starter
4	Drive Line — Two Wheel Drive
5	Torque Converter Drive Pulley
6	Torque Converter Driven Pulley
7	Power Head
8, 9	Engine W/Alternator
10, 11	Carburetor
12	Front Miter Box — Mk V and VI
13	Front Miter Box — All Two Wheel Drive Models
14, 15	Frame Mk VII
16, 17	Front Cargo Rack
18, 19	Handle Bar Assembly
20, 21	3 Speed Transfer Case
22, 23	Wheel Components
24, 25	Front Forks — Mk VII
26	Brake System — Front and Rear 1987 and Later — All Models
27	Engine Power Train

# CHAINS — ALL MODELS

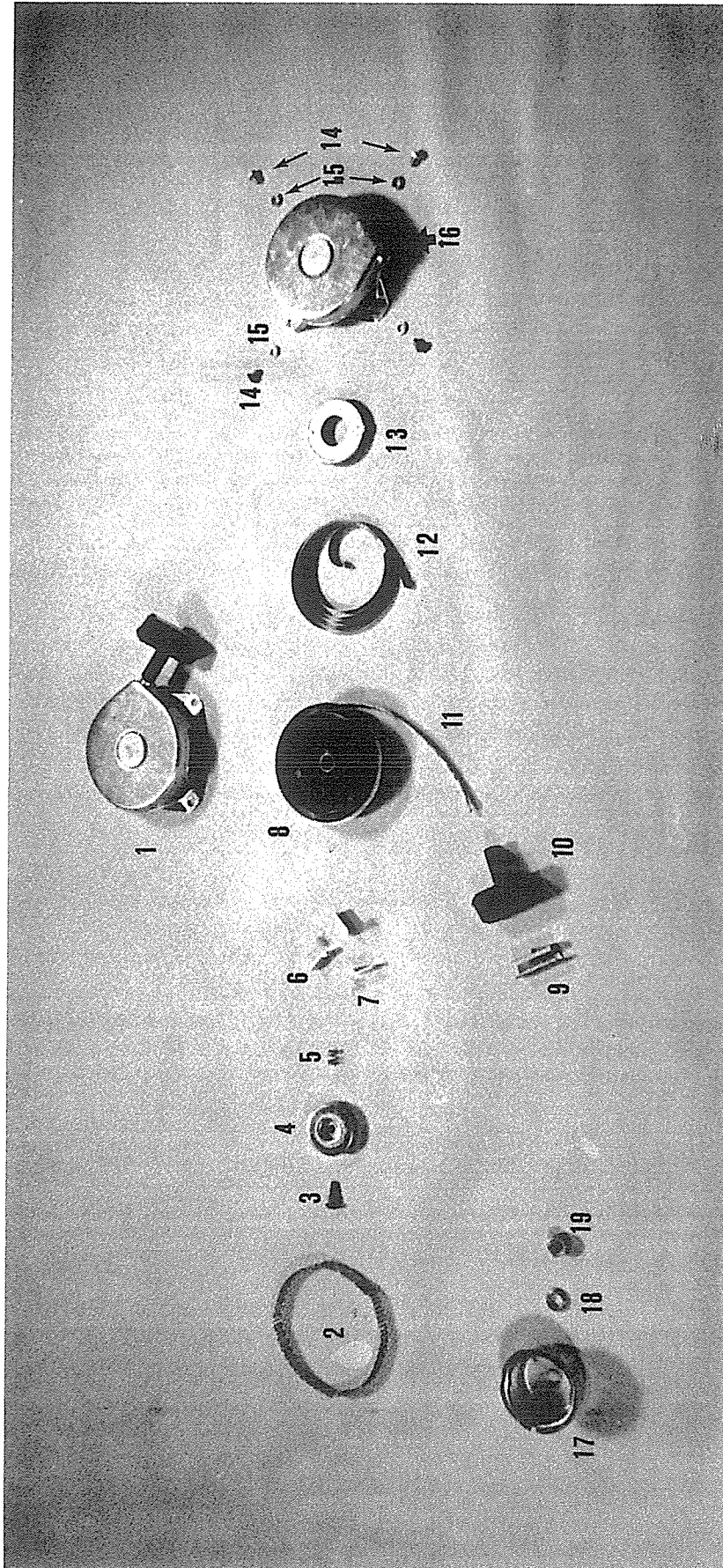


ITEM	PART NO.	NAME	DESCRIPTION	QTY.
1	100356	Connecting Link		1
2	see below	Chain		1
3	100355	Off-set Link		1
4	100354	Full Link		1

## VEHICLE CHAIN PART NUMBERS

<u>MODEL</u>	<u>FRONT</u>	<u>REAR</u>
Trailbreaker	101568	101570
Ranger	101568	101570
Scout	100319	100316

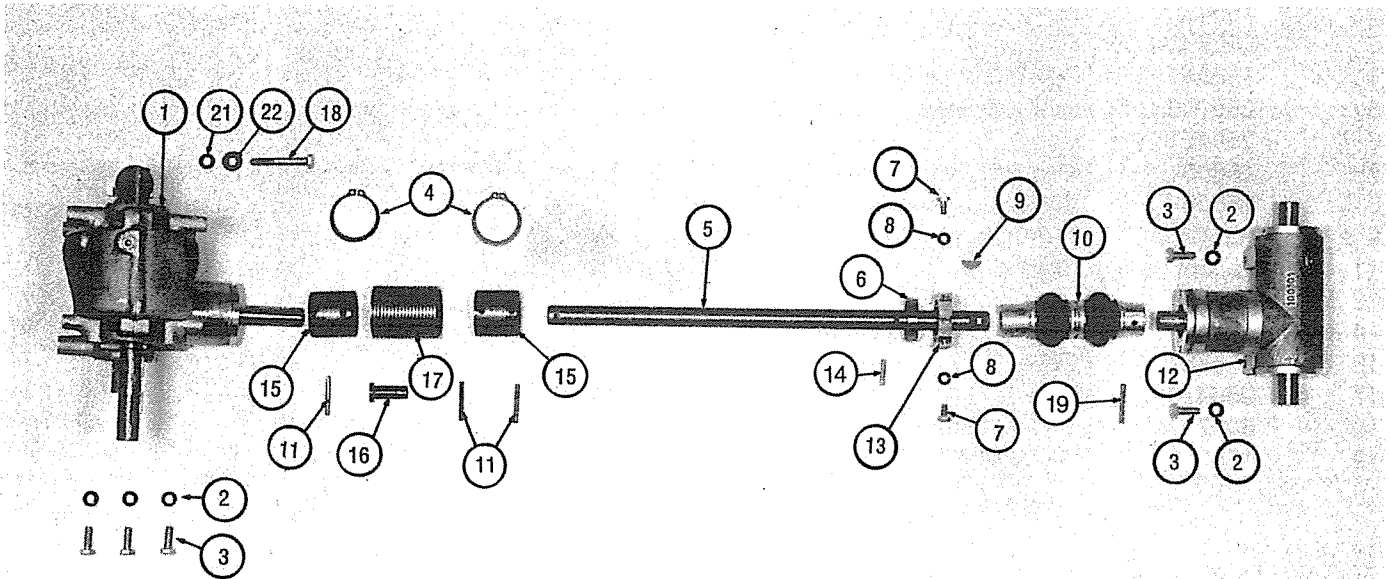
# PULL STARTER COMPONENTS



**PULL STARTER**

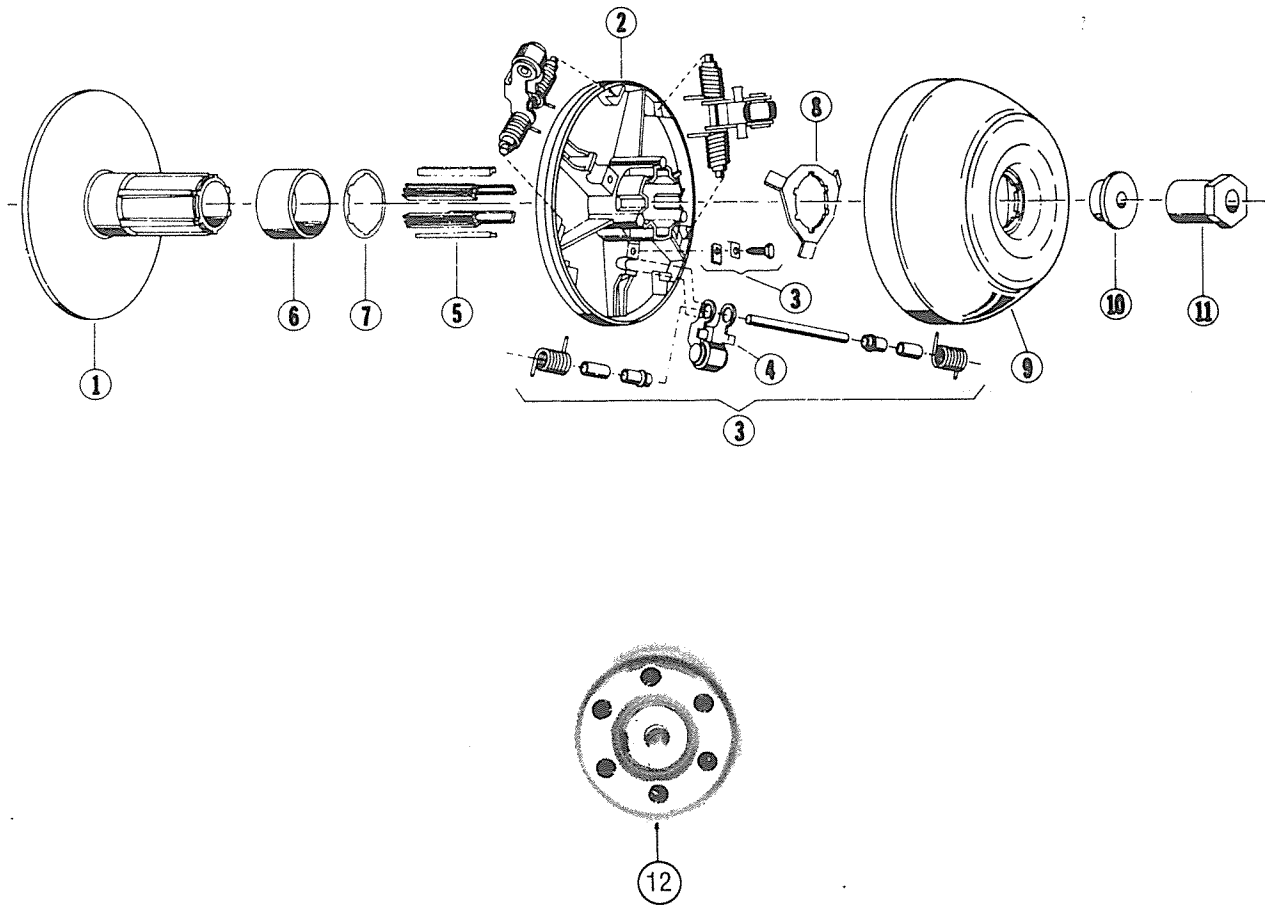
ITEM	PART NO.	NAME	DESCRIPTION	QTY.
1	100049-A	Pull Starter Complete		1
2	15603	Screen		1
3	250751-1	Screw		1
4	15604	Dog Retainer		1
5	250003	Brake Spring		1
6	250421	Dog		3
7	15605	Dog Springs		3
8	15606	Pulley with Bearing		1
9 & 10	A250132	T-Handle and Insert		1
11	15585	Cord		1
12 & 13	15584	Spring and Keeper		1
14 & 15	1655	Screw and Lockwasher	1/4-20 x 1/2	4
16	15583-1	Cover		1
17	256456	Cup		1
18	8067	Lock Washer		1
19	1352	Fly Wheel Nut	7/16-20 R.H.	1

# DRIVE LINE — TWO-WHEEL DRIVE RANGER & SCOUT



ITEM	PART NO.	NAME	DESCRIPTION	QTY.
1	101680	Transfer Case Assy.	3 range	1
2	100039	Lock Washer	5/16 K.D. Brite	5
3	100038	Screw	5/16-18 x 7/8	4
4	100307	Snap Ring		2
5	101682	Drive Line Shaft		1
6	100314	Drive Line Bearing		1
7	100252	Screw	1/4-20 x 1/2	2
8	100281	Lock Washer	1/4 K.D. Brite	2
9	100043	Drive Line Key	#9 Woodruff	1
10	100400	Universal Joint		1
11	100046	Roll Pin	3/16 x 1 1/2	2
12	100100	Miter Box	Front, All Models	1
13	100312	Bearing Retainer	Drive Line Support	1
14	100047	Roll Pin	3/16 x 1	1
15	101655	Boss		2
16	101656	Retaining Pin		1
17	100002	Override Spring		1
18	101529	Screw		1
19	100045	Roll Pin	3/16 x 1 1/4	2
20	101640	Drive Line Assy.	Incl. 4,5,9,11,13,15,16,17,19 N.S.	1
21	100039	Washer	5/16 Lock	1
22	100254	Washer	1/4" Flat	1

# TORQUE CONVERTER DRIVE PULLEY



## TORQUE CONVERTER DRIVE PULLEY

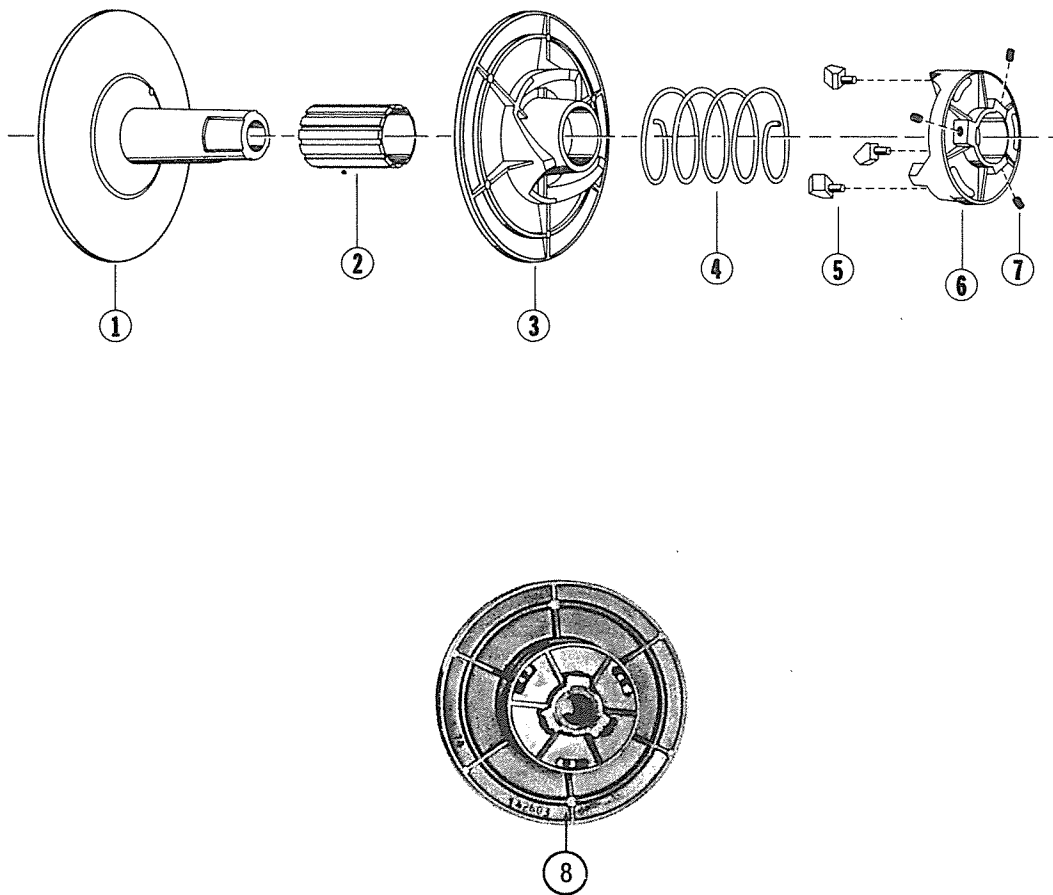
ITEM	PART NO.	NAME	DESCRIPTION	QTY.
1	703209	Fixed Face & Hub Assy.		1
2	601319	Movable Face Assy.	Inc. Items 3 & 4	1
3	690144	Kit	Springs, Pins & Bushings	1
4	690146	Kit	Roller Arm Assy.	1
5	703128	Liner	Spline	6
6	703116	Bearing	Idler	1
7	703127	Washer	Idler Bearing	1
8	703129	Retractor		1
9	703151	Plate	Ramp	1
10	703211	Washer	Ramp Plate Retaining	1
11	100493	Nut	Engine Shaft	1
12	100883	Drive Pulley	Front Inc. 1-10	1
13	108061	Lock Plate	N.S.	1

\* Not Supplied as a single part

X — Assembly

N.S. — Not Shown

# TORQUE CONVERTER DRIVEN PULLEY



## TORQUE CONVERTER DRIVEN PULLEY

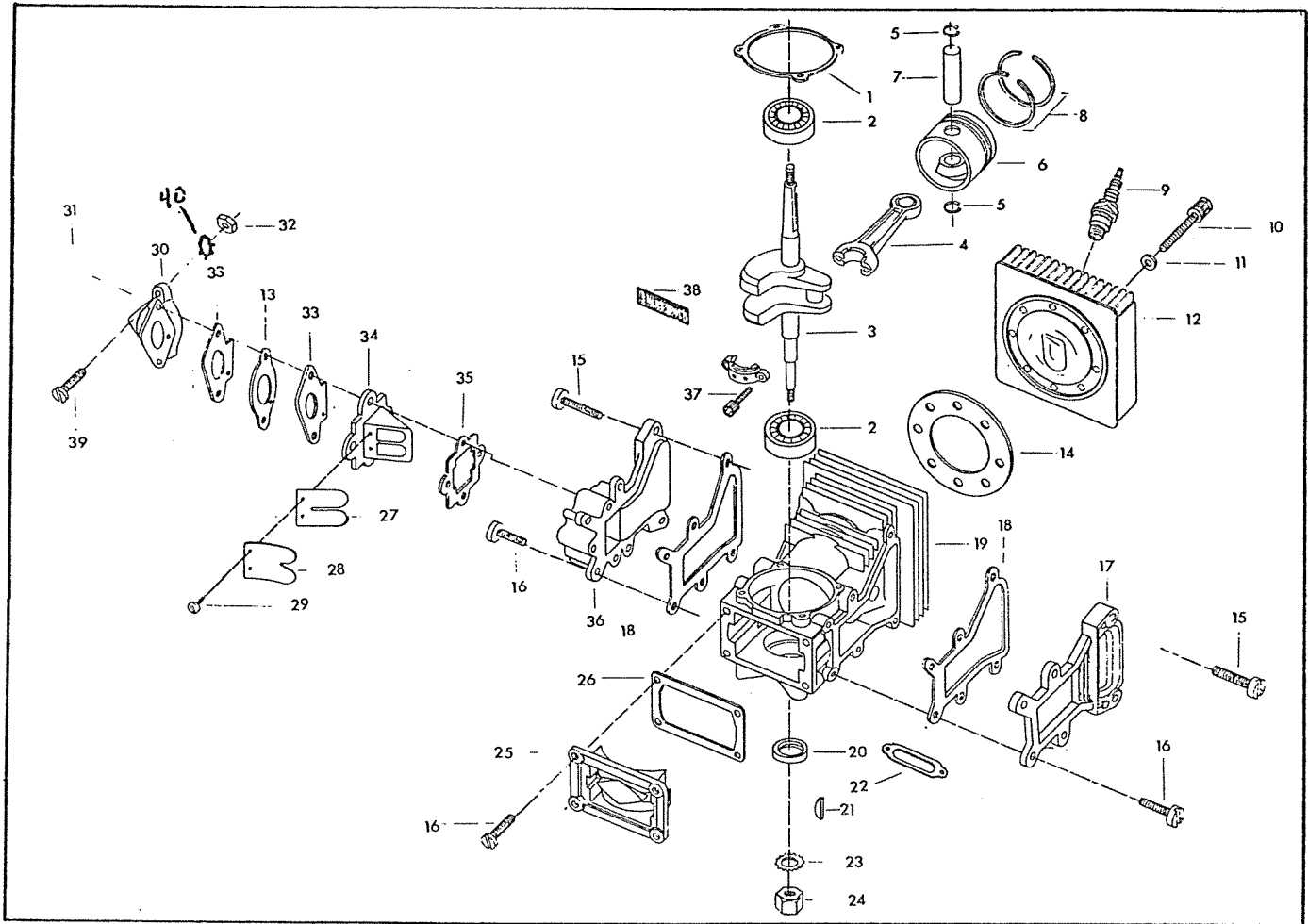
ITEM	PART NO.	NAME	DESCRIPTION	QTY.
1	601311	Hub — fixed face		1
2	703110	Bearing		1
3	703109	Movable Face		1
4	703111	Spring		1
5	703305	Button Shoe Ramp		3
6	601406	Torque Bracket	Incl. Items 5 & 7	1
7	901709	Set Screw		3
8	100884	Driven Pulley	Rear Incl. 1-7	1

\* Not Supplied as a single part

X — Assembly

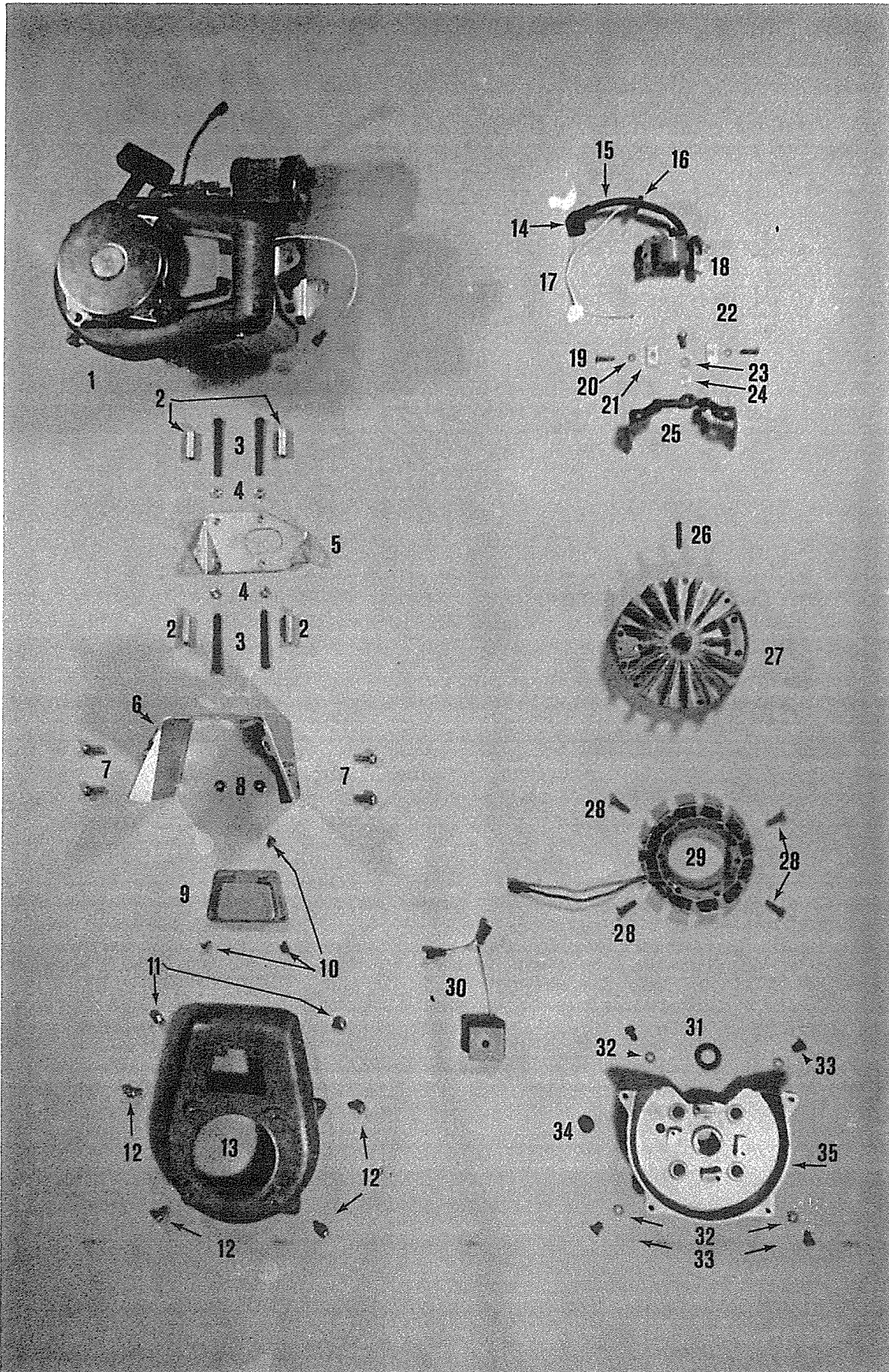
N.S. — Not Shown

# POWER HEAD



ILLUS. NO.	PART NO.	QTY.	DESCRIPTION	ILLUS. NO.	PART NO.	QTY.	DESCRIPTION
1*	175277	1	Bearing cage gasket	25	175150	1	Crankcase cover
2	127910-2	2	Ball bearing	26*	175148	1	Cover gasket
3	236018	1	Crankshaft	27	31160-1	2	Reed
4	A174016	1	Connecting rod w/Illus. 37	28	31161	2	Reed stop
5	31410	2	Retaining ring	29	1755	4	Round hd screw w/lockwasher, 6-32 x 5/16
6	175015	1	Piston	30	30167	1	Carburetor elbow
7	175017	1	Piston pin	31	1580	2	Hex slot hd screw w/lockwasher, 1/4-20 x 1 1/8
8	A175260-1	1	Piston ring set (2 per set)	32	1490	2	Hex nut
9	100369	1	Spark plug—Champion RL-7-J	33*	174906	2	Elbow gasket
10	1465	4	Socket hd cap screw, 1/4-20 x 1 1/16	34	A31158-1	1	Reed plate, includes Items 27, 28 and 29
11	8026	8	Plain washer	35*	31168	1	Manifold gasket
12	175518-2	1	Cylinder head	36	236157	1	Manifold
13	236836	1	Spacer, carburetor elbow	37	36634	2	Connecting rod cap screw
14*	175529-062	1	Head gasket	38	A175228	1	Crankpin roller set (28 rollers)
	175529-032	1	Head gasket	39	1833	2	Hex hd screw, 1/4-20 x 1
15	1497	4	Pan hd screw w/lockwasher, 1/4-20 x 7/8	40	8060	2	Lockwasher (under carb. nuts)
16	1439	12	Pan hd screw w/lockwasher, 1/4-20 x 3/4		G819-1	1	Gasket set (not shown) includes Illus. marked with an (*) asterisk
17	560222	1	Cover, transfer port		236939	4	Bolt, cyl. head (furnished by customer) not shown
18*	175223	2	Gasket		236117	1	Bracket, cyl. head (furnished by customer) not shown
19	2A560010	1	Cylinder, includes Item 20		236790	4	Spacer, cyl. head bolt (furnished by customer) not shown
20	31146	1	Seal, drive end				
21	9044	1	Woodruff key				
22*	175279	1	Exhaust gasket				
23	8067	1	Lockwasher, Helical spg.				
24	1352	1	Hex nut, 7/16-20				

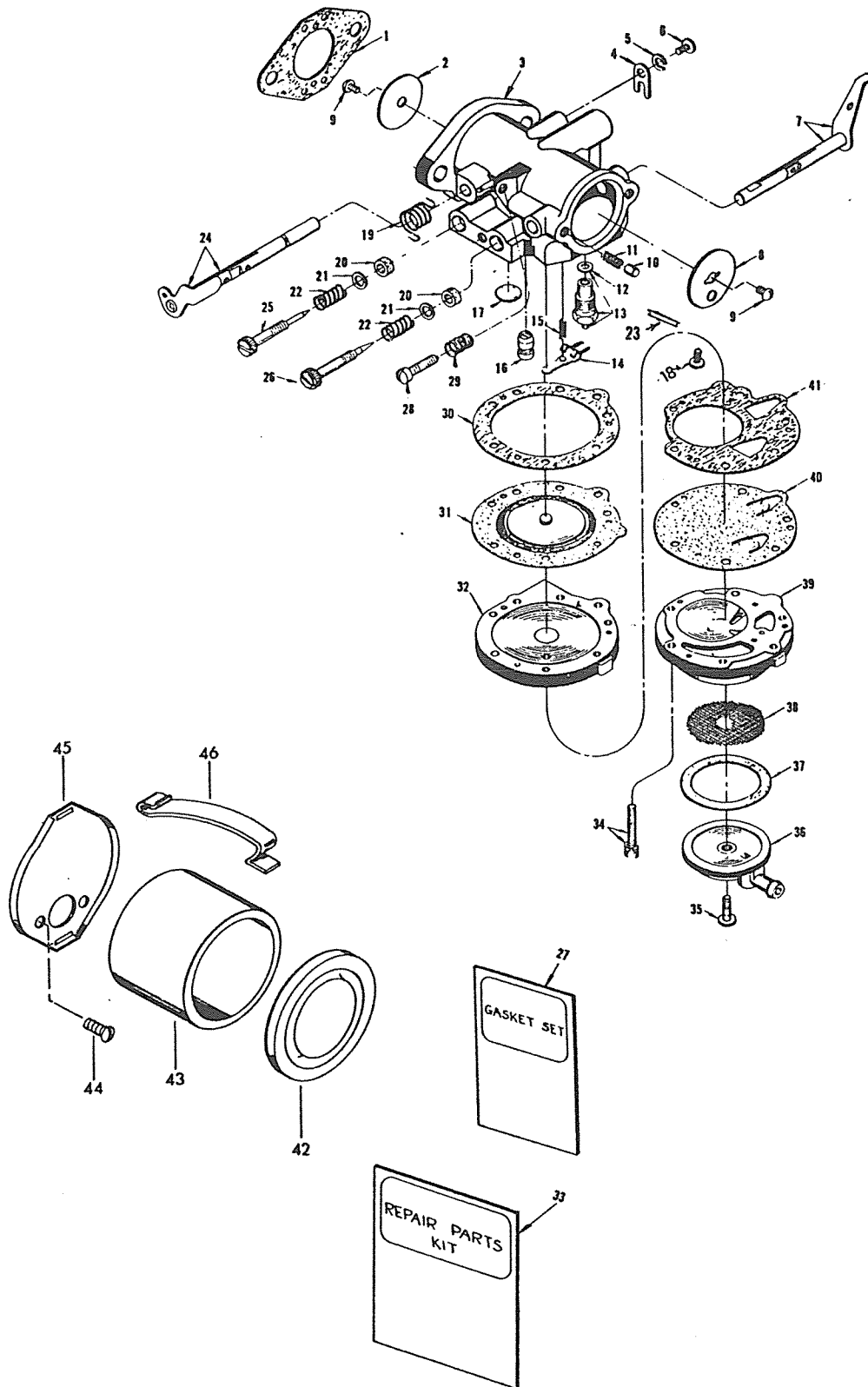
ENGINE MODEL #82031



**ENGINE WITH ALTERNATOR — MODEL #82031**

ITEM	PART NO.	NAME	DESCRIPTION	QTY.
1	101602	Engine Assy. with Alternator & Regulator		1
2	100230	Spacer		4
3	100232	Screw	1/4-20 x 2 1/2 socket head	4
4	8026	Washer	Plain	4
5	100231	Bracket	Cylinder Head	1
6	560648	Cover	Cylinder Head	
7	1497	Screw	1/4-20 x 7/8 Pan head w/lockwasher	4
8	560902	Spacer		2
9	559408	Cover	Coil	1
10	1728	Screw	10 x 7/8	3
11	1096	Screw	1/4-20 x 1/2	2
12	1282	Screw	1/4-20 x 5/8	4
13	560596	Fan Housing		1
14	K750-2	Sparkie with Spring		1
15	236841	Wire	Coil, with Items 14 & 16	1
16	175899	Grommet		1
17	560664	Primary Wire		1
18	560475	Coil		1
19,20	1303	Screw and Washer	8-32 x 1/2	2
21	2775595	Spacer		2
22	1573	Screw	Slotted fill-head 1/4-20 x 1/2	1
23	8061	Lockwasher		1
24	8025	Washer	Plain	1
25	236501	Bracket	Coil	1
26	128498	Key	Fly Wheel	1
27	236097	Fly Wheel		1
28	1523	Screw	10-32 x 7/8	4
29	560095	Stator		1
30	560470	Regulator	Voltage	1
31	2770146-1	Seal	Magneto End	1
32	1609	Lockwasher	1/4"	4
33	1156	Bolt	1/4-20	4
34	84991-1	Grommet	Rubber	1
35	A560038-1	Support Plate	Includes Items 21 & 31	1

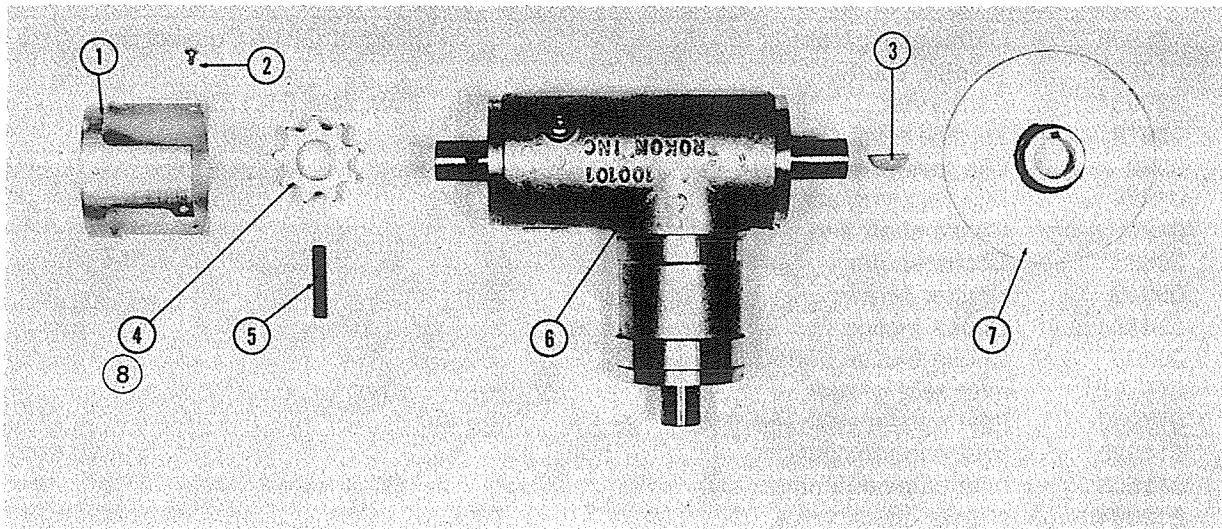
# CARBURETOR



## CARBURETOR

ITEM	PART NO.	NAME	DESCRIPTION	QTY.
1	175906	Carburetor gasket	(Part of G819-1 gasket set)	1
2	012089	Throttle shutter		1
3	236061	Carburetor	Complete (HL173A)	1
4	09678	Throttle shaft clip		1
5	0992	Clip lockwasher		1
6	01974	Clip retaining screw		1
7	012093	Choke shaft and lever		1
8	09626	Choke shutter		1
9*	08942	Shutter screw		2
10	05454	Choke friction pin		1
11	08805	Choke friction spring		1
12	010165	Inlet seat gasket		1
13*	018028	Inlet needle seat and gasket		1
14*	014020	Inlet control lever		1
15*	011503	Inlet tension spring		1
16	012084	Nozzle check valve		1
17*	02531	Welch plug		1
18	013269	Fulcrum pin screw		1
19	010775	Throttle shaft return spring		1
20**	011401	Adjustment screw packing		2
21**	011428	Adjustment screw washer		2
22*	08793	Adjustment screw spring		2
23	013406	Fulcrum pin		1
24	012091	Throttle shaft and lever		1
25	011498	Idle adjustment screw		1
26	012420	Main adjustment screw		1
27*	K10009	Gasket set with Illus. marked with double (**) asterisk		1
28*	05095	Idle speed regulating screw		1
29*	0788	Idle speed regulating screw spring		1
30**	012473	Diaphragm gasket		1
31*	012475	Diaphragm		1
32	018032	Diaphragm cover		1
33	K10117	Repair parts kit with Illus. marked with an (*) asterisk		1
34	018031	Body screw and lockwasher		6
35*	010571	Strainer cover screw		1
36	010527	Strainer cover		1
37**	010529	Strainer cover gasket		1
38*	010530	Strainer screen		1
39	018033	Fuel pump body		1
40	012698	Fuel pump diaphragm		1
41**	012930	Fuel pump gasket		1
42	30652	Cover	Air cleaner	1
43	A249653	Element	Air cleaner	1
44	236732-2	Screw	Air Cleaner	2
45	236650	Base	Air cleaner	1
46	30491	Clip	Air Cleaner	2

# FRONT MITER BOX — Mk. VII



## FRONT MITER BOX — Mk. V & Mk. VI

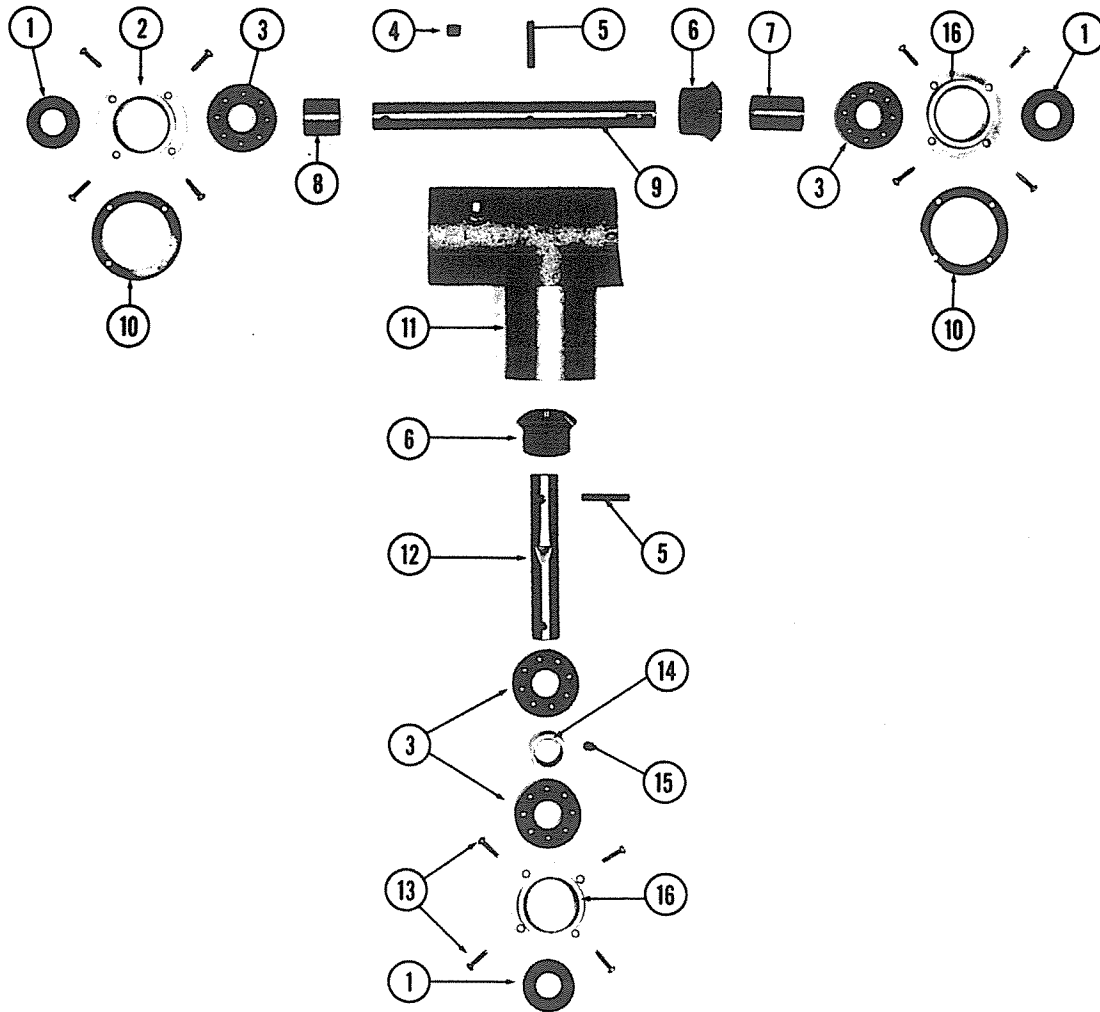
ITEM	PART NO.	NAME	DESCRIPTION	QTY.
1	100754	Chain Guard	Front	1
2	100459	Screw	6-32 x 1/4 self tap	3
3	100043	Key	#9 Woodruff	1
4	100612	Sprocket	9 Tooth #40	1
5	100270	Roll Pin	1/4 x 1 3/8	1
6	100302	Miter Box	Front — Mk. III & Mk. IV	1
7	100610	Brake Disc		1
8	100040	Sprocket	11 Tooth #40	1

\* Not Supplied as a single part

X — Assembly

N.S. — Not Shown

# FRONT MITER BOX — ALL TWO-WHEEL DRIVE MODELS



FRONT MITER BOX — ALL TWO-WHEEL DRIVE MODELS

ITEM	PART NO.	NAME	DESCRIPTION	QTY.
1	100161	Oil Seal		3
2	100111	End Cap (left front)		1
3	100158	Bearing		4
4	100163	Plug	Pipe	1
5	100045	Roll Pin	$\frac{3}{16} \times 1\frac{1}{4}$	2
6	100160	Miter Gear		2
7	100107	Spacer, Long		2
8	103134	Snap Ring		2
9	103132	Sprocket Shaft		1
10	N.S.	Shim	{ (100792 Blue) (100793 Clear) .005 .0075	2
11	100099	Housing	{ (100794 Brown) (100795 Red) .010 .002	1
12	103133	Shaft, drive		1
13	100162	Screw	6-32 x $\frac{9}{16}$	12
14	100108	Spacer, Line		1
15	100042	Set Screw	$\frac{1}{4}$ -28 x $\frac{1}{4}$	1
16	100112	End cap (right front & rear)		2

\* Not Supplied as a single part

X — Assembly

N.S. — Not Shown