

ILLUSTRATED PARTS MANUAL

FOR

ROKON

UTILITY VEHICLES AND MOTO-TRACTORS



**AMERICAN
ENGINEERED AND MANUFACTURED**

Rokon International Inc
50 Railroad Avenue
Rochester, NH 03839

Tel: (603) 335-3200 Fax: (603) 335-4400

JANUARY 1, 1982

PARTS LIST INSTRUCTIONS

I. Key to symbol

* Not supplied as a single part

X Assembly

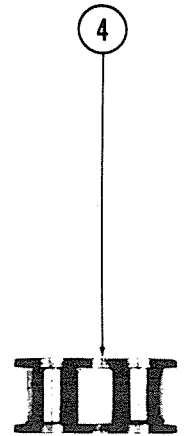
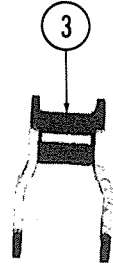
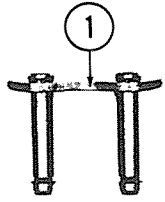
N. S. Not Shown

Accuracy when ordering parts prevents improper numbers and improper parts order completion. Specify the vehicle model, year, and color along with part number and part name.

CONTENTS

Nomenclature	Page
Chains — All models	1
Clutch — MK. III & MK. IV Std.	2
Torque Converter Drive Pulley — All models	3
Torque Converter Driven Pulley — All models	4
Drive Line — All 2-wheel models	5
Drive Line — All 2-wheel models 1975	6
Drive Line — 2-wheel drive Ranger & Scout	7
Engine Carburetor — All models	8 & 9
Engine Magneto — All models	10 & 11
Engine Power Head — All models	12 & 13
Engine Starter — All models	14
Engine Starter — Heavy Duty 5"	15
Dual Front Brake Caliper — All models	16
Rear Brake Caliper — All models	17
Engine Power Train (Belts)	18
Front Fork — MK. III Exp.	19
Front Fork MK. IV & MK. IV Auto.	20
Front Fork MK. III Auto.	21
Front Fork — RT 140	22 & 23
Frame Components — MK. III Exp.	24 & 25
Frame Components — MK. IV Std.	26 & 27
Frame Components — MK. III Auto & MK. IV Auto	28 & 29
Frame Components — RT 140	30 & 31
Frame Components — Ranger & Scout	32 & 33
Handlebar Assy. — MK. III, MK. IV Std., MK. IV Auto	34
Handlebar Assy. — MK. III Auto, Ranger & Scout	35
Handlebar Assy. — RT 140	36
Jackshaft Components — RT 140	37
Jackshaft Components — MK. III Auto & MK. IV Auto	38
Front Miter Box — All 2-wheel drive models	39
Front Miter Box — MK. III Exp., MK. IV Std., Ranger & Scout	40
Front Miter Box — MK. III Auto & MK. IV Auto	41
Rear Miter Box — MK. III Exp. & MK. IV Std.	42
Rear Miter Box — MK. III Auto & MK. IV Auto	43
Rear Miter Box — All 2-wheel drive models	44
Transmission-General	45
Three Speed Transmission	46 & 47
Transmission — MK. III & MK. IV Std.	48 & 49
Wheel Components — Drive — All models	50
Wheel Components — RT 140 Front	51
Front Cargo Rack	52

CHAINS - ALL MODELS



ITEM	PART NO.	NAME	DESCRIPTION	QTY.
1	100356	Connecting Link		1
2	see below	chain	#40	1
3	100355	off-set Link		1
4	100354	Full Link		1

VEHICLE CHAIN PART NUMBER

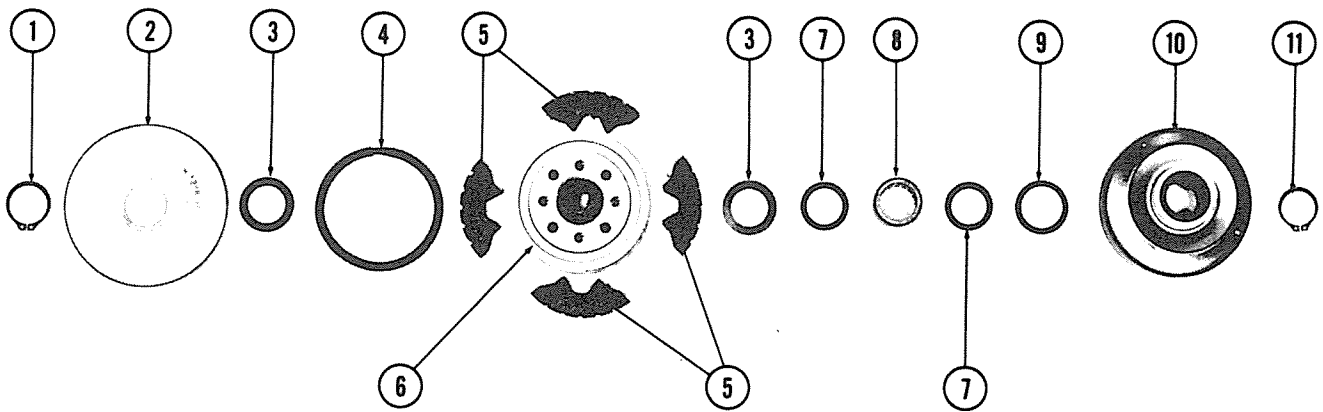
MODEL	FRONT	REAR	PRIMARY
Mk-III Explorer	100316	100317	100318
Mk-III Automatic	100316	100317	100315
Mk-IV Std.	100319	100316	100318
Mk-IV Automatic	100319	100316	100315
RT-140	None	100316	100315
Rokon Ranger	101568	101570	None
Rokon Scout	100319	100316	None
Rokon Pioneer	None	100316	None

*Not supplied as a single part

X-Assembly

N.S. — Not Shown

CLUTCH - MK III EXP. & MK IV STD.



CLUTCH — MK III EXP. & MK IV STD.

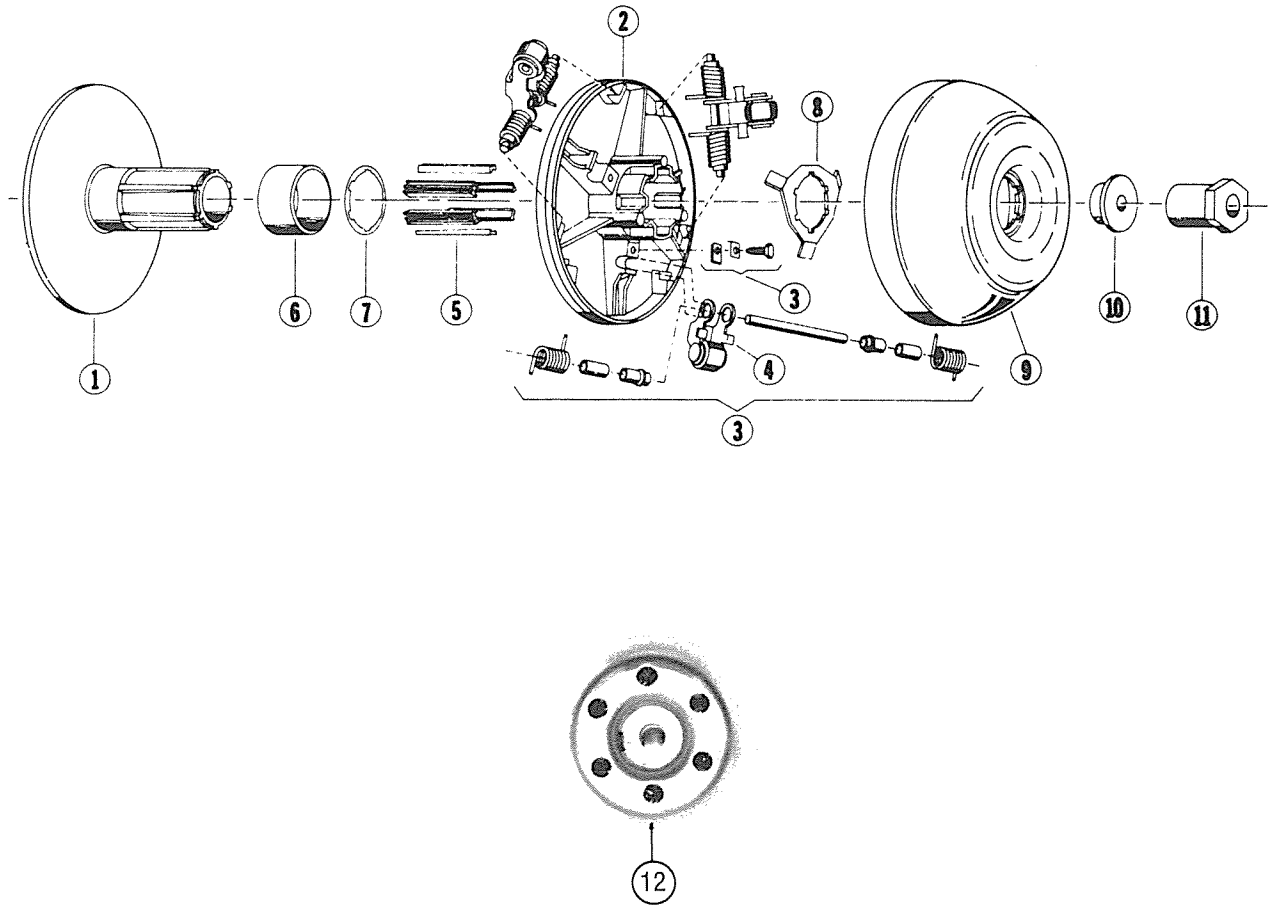
ITEM	PART NO.	NAME	DESCRIPTION	QTY.
1	100870	Snap Ring		1
2	100868	Cover		1
3	100875	Thrust Washer		2
4	100869	Clutch Spring		1
5	100866	Friction Shoe		4
6	*		Not Available	1
7	100874	Oil Seal		2
8	100867	Clutch Bearing		1
9	100876	Fiber Washer		1
10	*		Not Available	1
11	100871	Snap Ring		1
12	100050	Clutch Complete	Incl. Items 1-11	1

* Not Supplied as a single part.

X - Assembly

N.S. - Not Shown

TORQUE CONVERTER DRIVE PULLEY



TORQUE CONVERTER DRIVE PULLEY

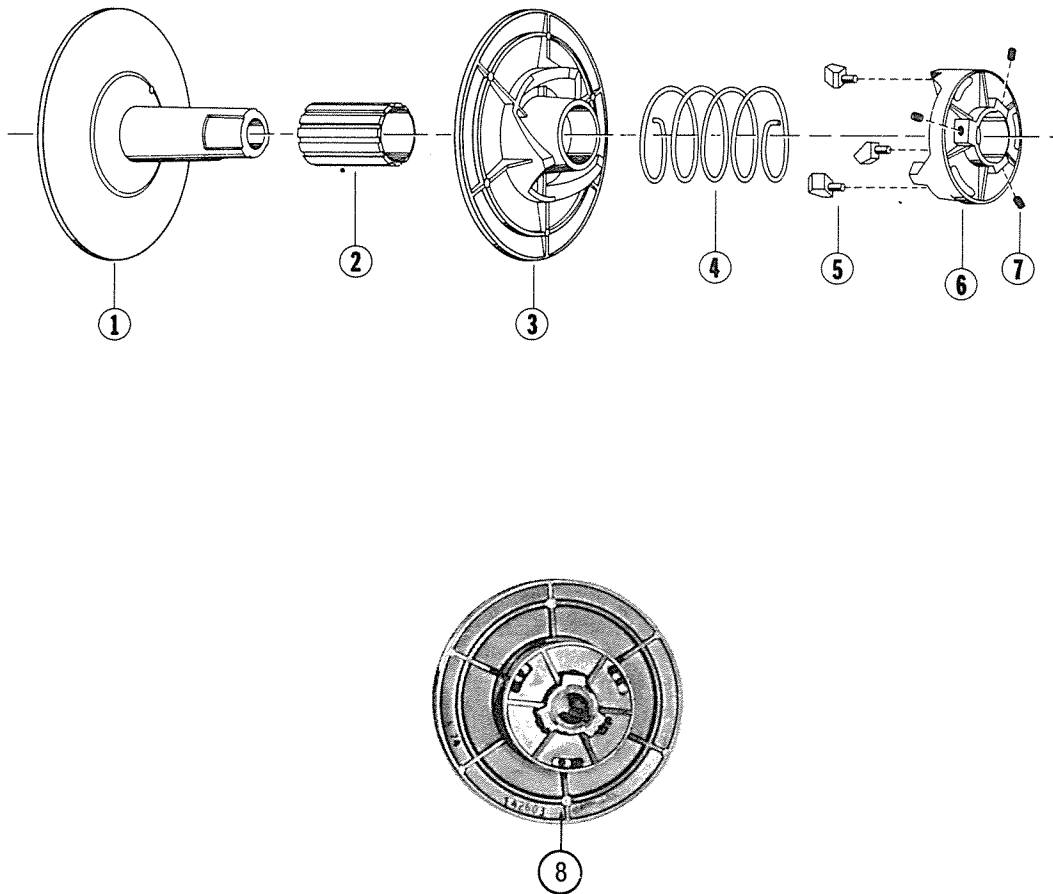
ITEM	PART NO.	NAME	DESCRIPTION	QTY.
1	703209	Fixed Face & Hub Assy.		1
2	601319	Movable Face Assy.	Incl. Items 3 & 4	1
3	690144	Kit	Springs, Pins & Bushings	1
4	690146	Kit	Roller Arm Assy.	1
5	703128	Liner	Spline	6
6	703116	Bearing	Idler	1
7	703127	Washer	Idler Bearing	1
8	703129	Retractor		1
9	703151	Plate	Ramp	1
10	703211	Washer	Ramp Plate retaining	1
11	100493	Nut	Engine Shaft	1
12	100883	Drive Pulley	Front Incl. 1-10	1

* Not Supplied as a single part

X - Assembly

N.S. - Not Shown

TORQUE CONVERTER DRIVEN PULLEY



TORQUE CONVERTER DRIVEN PULLEY

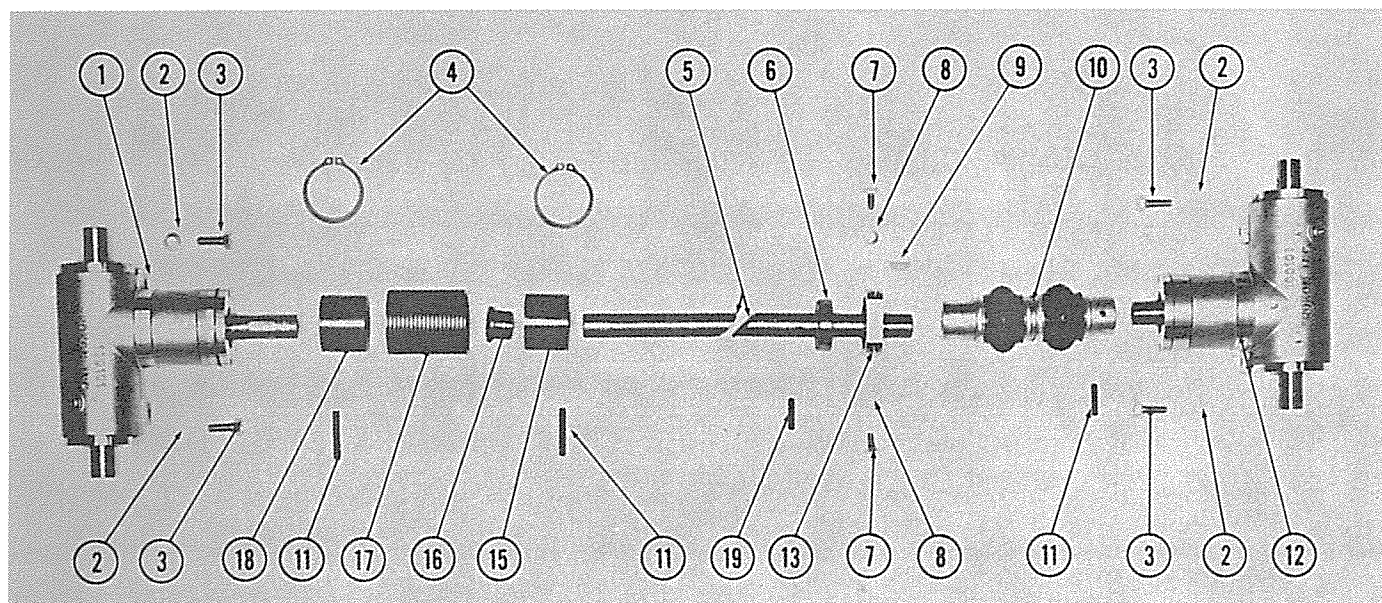
ITEM	PART NO.	NAME	DESCRIPTION	QTY.
1	601311	Hub — fixed face		1
2	703110	Bearing		1
3	703109	Movable Face		1
4	703111	Spring		1
5	703305	Button Shoe Ramp		3
6	601406	Torque Bracket	Incl. Items 5 & 7	1
7	901709	Set Screw		3
8	100884	Driven Pulley	Rear Incl. 1-7	1

* Not Supplied as a single part

X - Assembly

N.S. - Not Shown

DRIVE LINE - ALL TWO-WHEEL DRIVE MODELS



(1966-1974)

DRIVE LINE — ALL TWO-WHEEL DRIVE MODELS

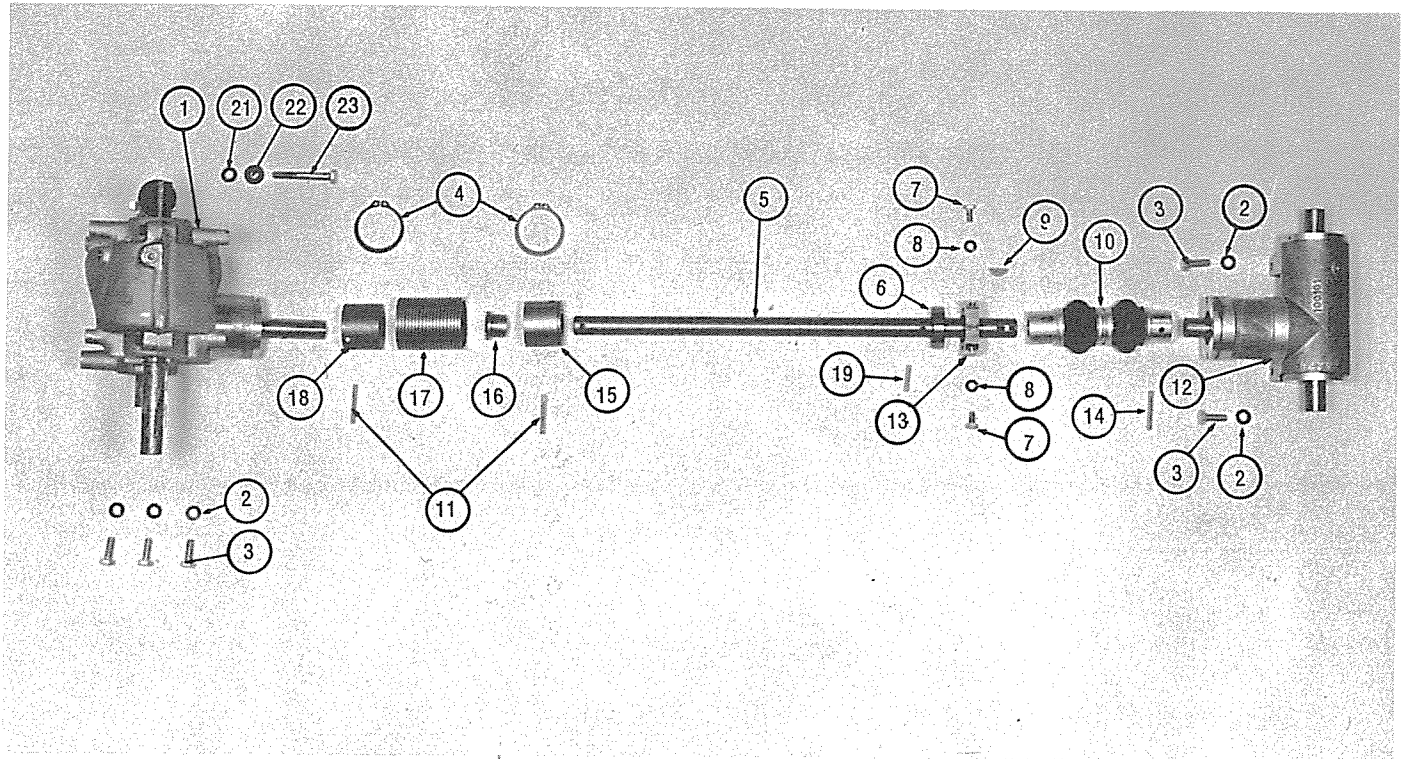
ITEM	PART NO.	NAME	DESCRIPTION	QTY.
1	100140	Miter box	Rear — all models	1
2	100039	Lock Washer	5/16 K. D. Brite	4
3	100038	Screw	5/16 — 18x 7/8	4
4	100307	Snap Ring		2
5	100311	Drive Line Shaft		1
6	100314	Drive Line Bearing		1
7	100252	Screw	1/4 — 20 x 1/2	2
8	100281	Lock Washer	1/4 K. D. Brite	2
9	100043	Drive Line Key	#9 Woodruff	1
10	100400	Universal Joint		1
11	100046	Roll Pin	3/16 x 1 1/2	2
12	100100	Miter Box	Front, All Models	1
13	100312	Bearing Retainer	Drive Line Support	1
14	100047	Roll Pin	3/16 x 1	1
15	100309	Boss		1
16	100308	Bushing	Bronze	1
17	100002	Override Spring		1
18	100310	Plain Boss		1
19	100045	Roll Pin	3/16 x 1 1/4	2
20	100300	Drive Line Assy.	Incl. 4,5,9,11,13,15,16,17,19 N.S.	1
21	100855	(Universal Joint — Exchange Only)		1

* Not Supplied as a single part

X - Assembly

N.S. - Not Shown

**DRIVE LINE — ALL TWO-WHEEL DRIVE MODELS
1975**

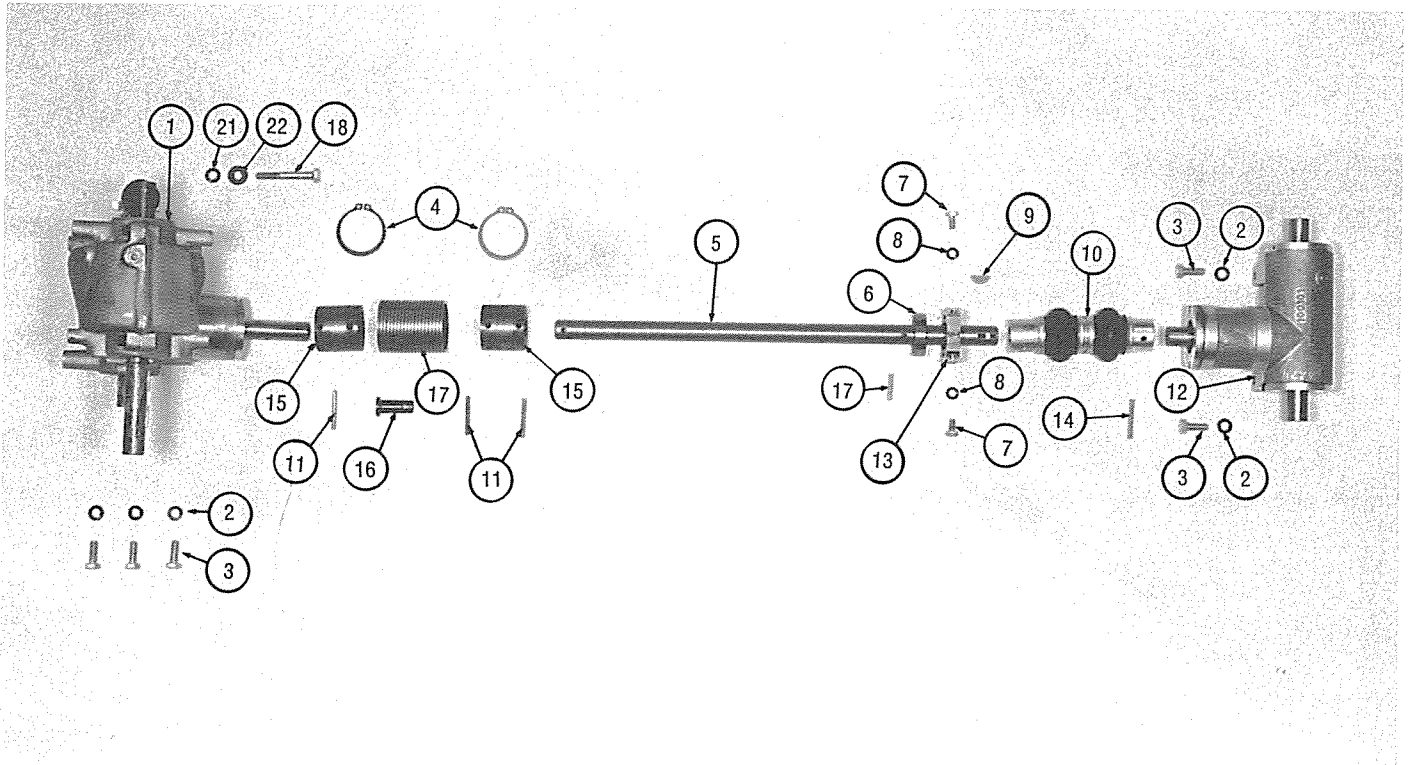


**DRIVE LINE — ALL TWO-WHEEL DRIVE MODELS
(1975 -2000)**

ITEM	PART NO.	NAME	DESCRIPTION	QTY.
1	101680	Transmission Assy.	3 range	1
2	100039	Lock Washer	$\frac{5}{16}$ K.D. Brite	5
3	100038	Screw	$\frac{5}{16}$ -18 x $\frac{7}{8}$	4
4	100307	Snap Ring		2
5	100311	Drive Line Shaft		1
6	100314	Drive Line Bearing		1
7	100252	Screw	$\frac{1}{4}$ -20 x $\frac{1}{2}$	2
8	100281	Lock Washer	$\frac{1}{4}$ K.D. Brite	2
9	100043	Drive Line Key	#9 Woodruff	1
10	100400	Universal Joint		1
11	100046	Roll Pin	$\frac{3}{16}$ x $1\frac{1}{2}$	2
12	100100	Miter Box	Front, All Models	1
13	100312	Bearing Retainer	Drive Line Support	1
14	100047	Roll Pin	$\frac{3}{16}$ x 1"	1
15	100309	Boss		1
16	100308	Bushing	Bronze	1
17	100002	Override Spring		1
18	100310	Plain Boss		1
19	100045	Roll Pin	$\frac{3}{16}$ x $1\frac{1}{4}$	2
20	100300	Drive Line Assy.	Incl. 4,5,9,11,13,15,16,17,19 N.S.	1
21	100039	Washer	$\frac{5}{16}$ Lock.	1
22	100254	Washer	$\frac{1}{4}$ " Flat	1
23	101529	Screw	$\frac{5}{16}$ -18 x $2\frac{1}{4}$	1

DRIVE LINE — TWO-WHEEL DRIVE
RANGER & SCOUT

1975 — Serial # R2000 On
S2000 On

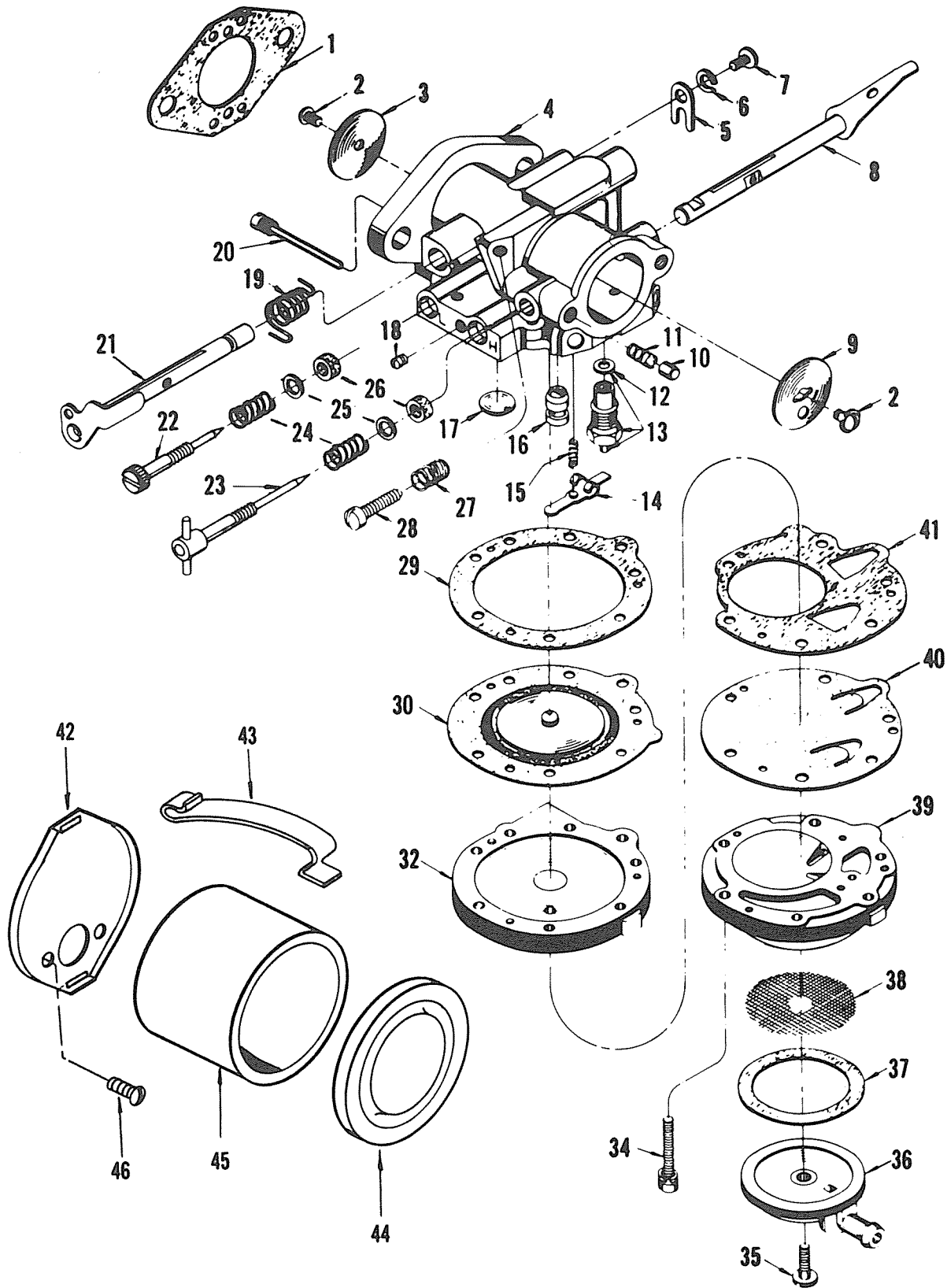


DRIVE LINE — TWO-WHEEL DRIVE
RANGER & SCOUT

1975 — Serial # R2000 On
S2000 On

ITEM	PART NO.	NAME	DESCRIPTION	QTY.
1	101680	Transmission Assy.	3 range	1
2	100039	Lock Washer	$\frac{5}{16}$ K.D. Brite	5
3	100038	Screw	$\frac{5}{16}$ -18 x $\frac{7}{8}$	4
4	100307	Snap Ring		2
5	101682	Drive Line Shaft		1
6	100314	Drive Line Bearing		1
7	100252	Screw	$\frac{1}{4}$ -20 x $\frac{1}{2}$	2
8	100281	Lock Washer	$\frac{1}{4}$ K.D. Brite	2
9	100043	Drive Line Key	#9 Woodruff	1
10	100400	Universal Joint		1
11	100046	Roll Pin	$\frac{3}{16}$ x $1\frac{1}{2}$	2
12	100100	Miter Box	Front, All Models	1
13	100312	Bearing Retainer	Drive Line Support	1
14	100047	Roll Pin	$\frac{3}{16}$ x 1	1
15	101655	Boss		2
16	101656	Retaining Pin		1
17	100002	Override Spring		1
18	101529	Screw		1
19	100045	Roll Pin	$\frac{3}{16}$ x $1\frac{1}{4}$	2
20	100300	Drive Line Assy.	Incl. 4,5,9,11,13,15,16,17,19 N.S.	1
21	100039	Washer	$\frac{5}{16}$ Lock.	1
22	100254	Washer	$\frac{1}{4}$ " Flat	1

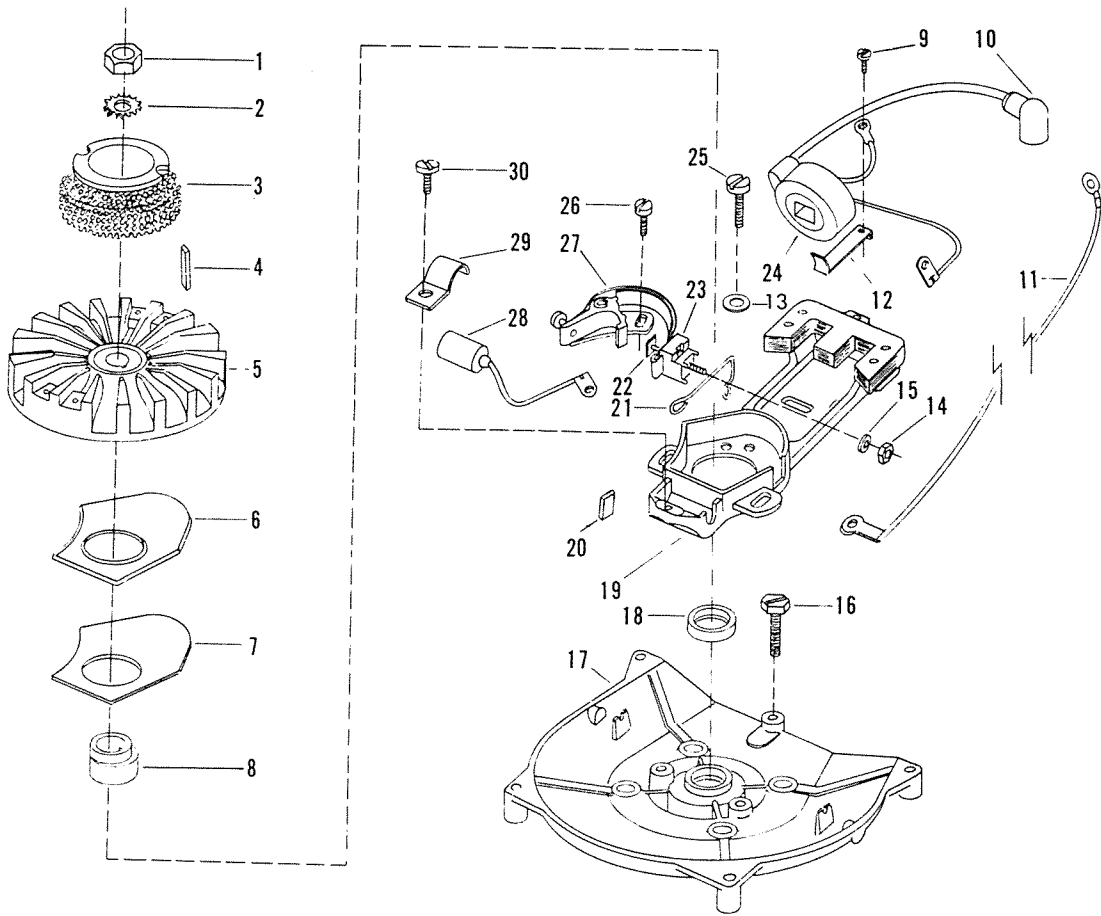
CARBURETOR - ALL MODELS



CARBURETOR

ITEM	PART NO.	NAME	DESCRIPTION	QTY.
1	175906	Carburetor Gasket		1
2	08942	Shutter Screw and Lockwasher		2
3	012089	Throttle Shutter		1
4		Carb. Body (Not Available)	Order 236061 carb. complete	1
5	09678	Throttle Shaft Clip		1
6	0992	Clip Lockwasher		1
7	01974	Clip Retaining Screw		1
8	012093	Choke Shaft and Lever		1
9	09626	Choke Shutter		1
10	05454	Choke Friction Pin		1
11	08805	Choke Friction Spring		1
12	010165	Inlet Seat Gasket		1
13	010580	Inlet needle, seat and gasket		1
14	010513	Inlet Control Lever		1
15	011503	Inlet Tension Spring		1
16	012084	Nozzle Check Valve		1
17	02531	Welch Plug		1
18	02232	Drain Screw		1
19	12950	Throttle Shaft return spring		1
20	010581	Control Lever pinion screw		1
21	012091	Throttle Shaft and Lever		1
22	011498	Idle Adjustment Screw		1
23	012420	Main Adjustment Screw		1
24	08793	Adjustment Screw Spring		2
25	011428	Adjustment Screw Washer		2
26	011401	Adjustment Screw Packing		2
27	0788	Idle Speed regulat. screw spring		1
28	05095	Idle Speed Regulating Screw		1
29	012473	Diaphragm Gasket		1
30	012475	Diaphragm		1
32	010526	Diaphragm Cover		1
34	010098	Body Screw and Lockwasher		6
35	010571	Strainer Cover Screw		1
36	010527	Strainer Cover		1
37	010529	Strainer Cover Gasket		1
38	010530	Strainer Screen		1
39	010525	Fuel Pump Body		1
40	012698	Fuel Pump Diaphragm		1
41	012930	Fuel Pump Gasket		1
42	236650	Base		1
43	30491	Clips		2
44	30652	Cover		1
45	30653	Element — paper		1
	100336	Element — foam	Severe use — washable	
46	236732-2	Screw		2
	A2770589	Throttle Shaft arm	(not shown)	1
	236061	Carburetor Complete	(HL173A)	1
	GS-155	Gasket set	(not shown)	1
	RK-525	Repair parts kit	(not shown)	1

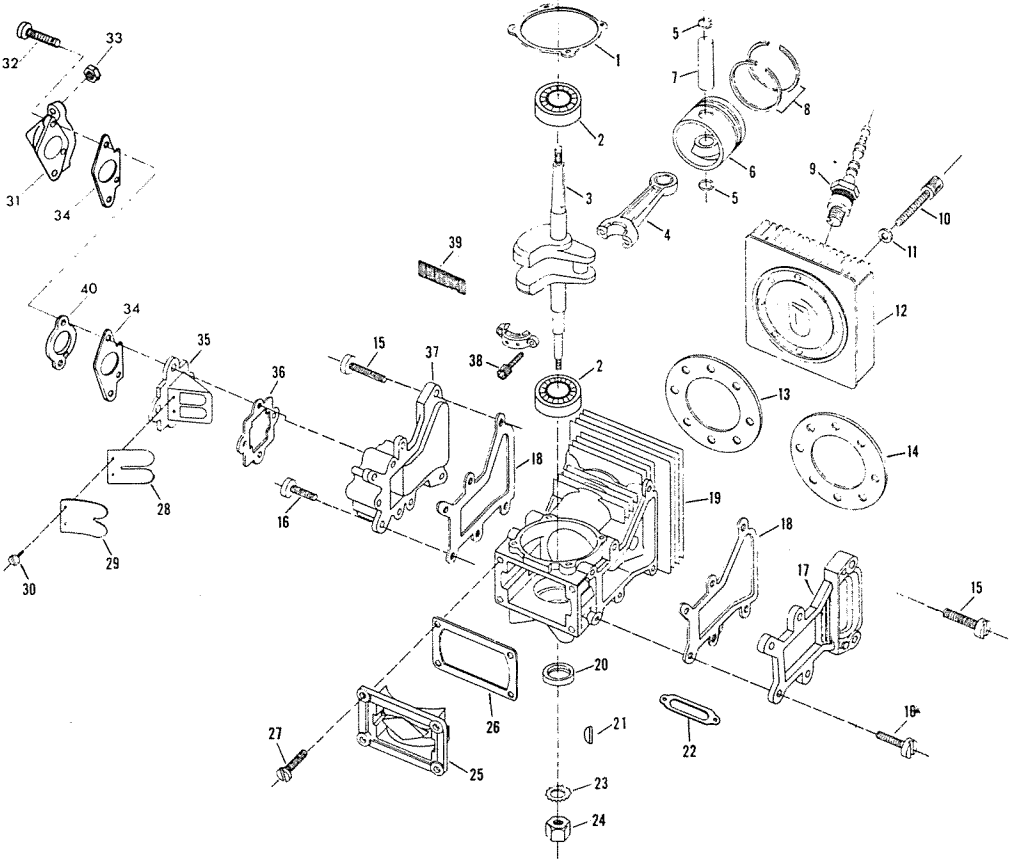
MAGNETO



MAGNETO

ITEM	PART NO.	NAME	DESCRIPTION	QTY.
1	1352	R. H. hex nut	7/16 — 20	1
2	8066	Ext. tooth L/W		1
3	174456	Cup and Screen		1
4	30498	Flywheel Key		1
5	12267	Flywheel		1
6	174029	Cover		1
7	174031	Cover Gasket		1
8	30002	Cam		1
9	12167	Screw		1
10	102737	Sparky		1
11	130907	Ground Lead		1
12	12336	Coil Wedge Spring		1
13	8035	Plain Washer		1
14	12127	Nut		1
15	8055	Lockwasher		1
16	1472	Hex slot hd. screw w /LW	1/4 — 20 x 11/16	4
17	A175038-1	Support plate	includes item 18	1
18	2770146-1	Seal	magneto end	1
19	174095-3	Stator Plate	includes coil, breaker points	1
20	12227	Cam Felt		1
21	12242	Cover Spring		1
22	13312	Stud		1
23	13309	Insulator		1
24	12327	Coil	includes item 10	1
25	1457	Rd. Hd. screw w/ext. T/LW	1/4 — 20 x 3/8	3
26	12090	Screw		1
27	12225	Breaker Point Set		1
28	12326	Condenser		1
29	12239	Condenser Clamp		1
30	12078	Screw		1

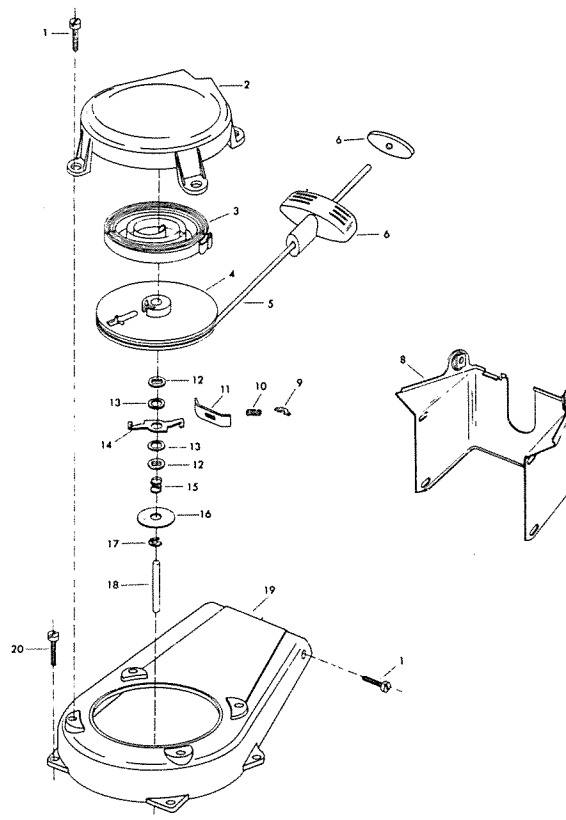
POWER HEAD



POWER HEAD

ITEM	PART NO.	NAME	DESCRIPTION	QTY.
1	175277	Bearing Cage Gasket		1
2	127910-2	Ball bearing		2
3	236018	Crankshaft		1
4	2A174016	Connecting rod		1
5	31410	Retaining ring		2
6	236015	Piston		1
7	175017	Piston pin		1
8	A175260-1	Piston ring set		1
9	100369	Spark plug (L-10)		1
10	1465	Socket hd. cap screw	1/4 — 20 x 1 1/16	8
11	8026	Plain Washer		8
12	175518	Cylinder head		1
13	175529-032	Head gasket		1
14	175529-062	Head gasket		1
15	1497	Pan hd. screw w/LW	1/4 — 20 x 7/8	4
16	1439	Pan hd. screw w/LW	1/4 — 20 x 3/4	8
17	175222	Cover		1
18	175223	Gasket		2
19	A175010	Cylinder	includes item 20	1
20	31146	Seal	drive end	1
21	9044	Woodruff key		1
22	175279	Exhaust gasket		1
23	8066	Ext. tooth L/W		1
24	1352	R. H. hex nut	7/16 — 20	1
25	174031	Crankcase cover		1
26	100537	Cover gasket		1
27	1210	Hex slot hd. screw w/LW	1/4 — 20 x 1	4
28	31160-1	Reed		2
29	31161	Reed stop		2
30	1298	Rd. Hd. screw	w/LW 6 — 32 x 1/4	4
31	30167	Carburetor elbow		1
32	1580	Hex slot hd. screw w/LW	1/4 — 20 x 1 1/8	4
33	1490	Hex nut		2
34	174906	Elbow gasket		2
35	A31158-1	Reed plate	includes items 28, 29 & 30	1
36	31168	Manifold Gasket		1
37	175157	Manifold		1
38	36634	Connecting rod cap screw		2
39	A175228	Crankpin roller set		1
40	236836	Spacer	carburetor elbow	1
41	G82007	Gasket set	(not shown)	1
42	100038	Exhaust Manifold Bolts	5/16-18 x 7/8 (N.S.)	2

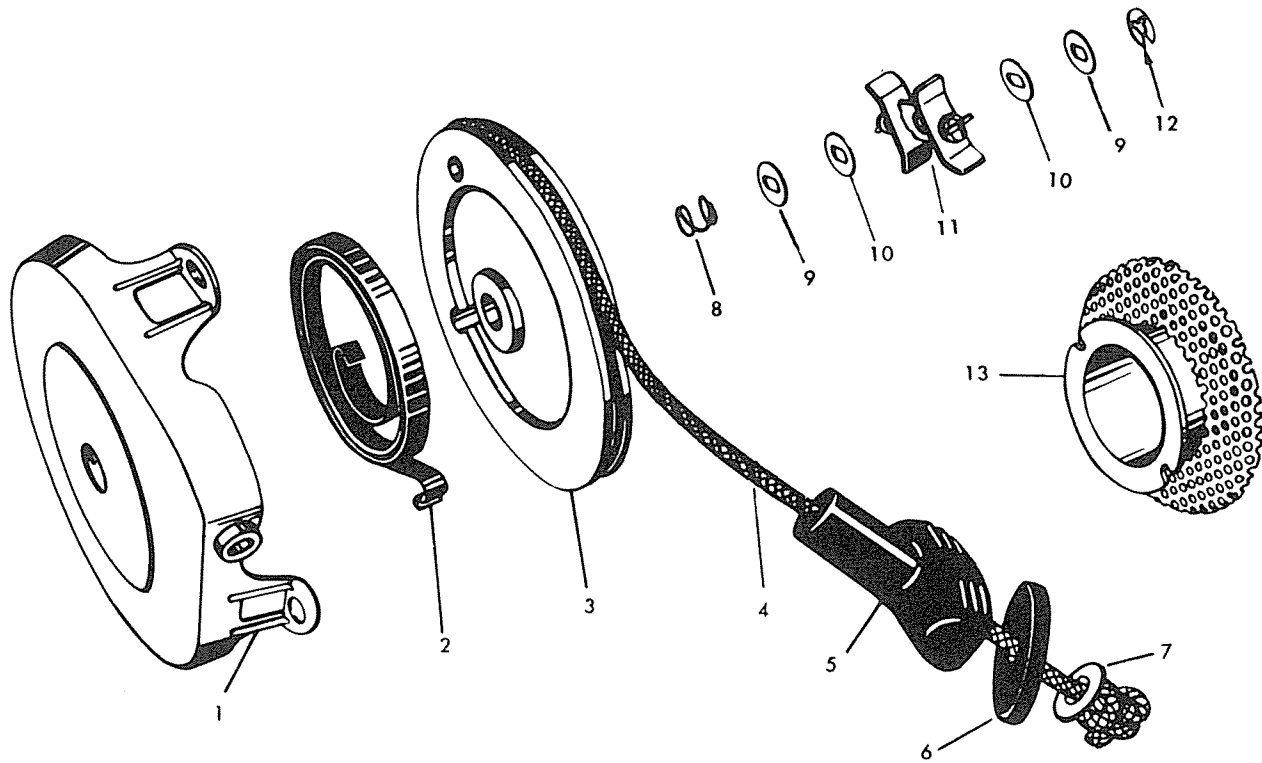
REWIND STARTER — 4 INCH



REWIND STARTER — 4 INCH

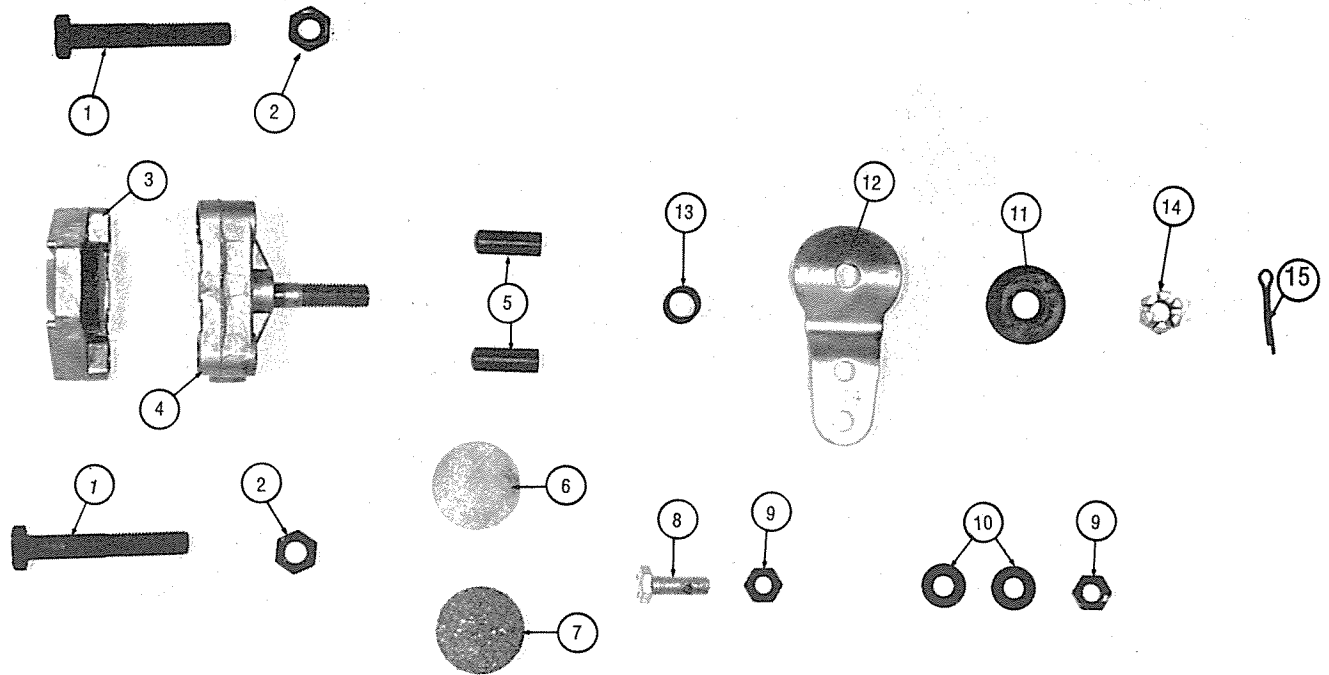
ITEM	PART NO.	NAME	DESCRIPTION	QTY.
1	1096	Pan hd. screw w/LW	$\frac{1}{4}$ — 20 x $\frac{1}{2}$	6
2	15546	Cover		1
3	15528	Rewind Spring		1
4	15522	Rotor		1
5	15525	Cord		1
6	15540	T-handle w/insert		1
8	236648	Cylinder cover		1
9	15518	Spring Retainer Plate		2
10	15503	Friction Shoe Spring		2
11	15519	Friction Shoe Plate		2
12	15510	Brake Washer		2
13	15574	Fiber Washer		2
14	15501	Brake Lever		1
15	15504	Brake Spring		1
16	15511	Brake Retainer Washer		1
17	15513	Retainer Ring		1
18	15508	Centering Pin		1
19	175596-1	Fan Housing		1
20	1282	Pan hd. screw w/LW.	$\frac{1}{4}$ — 20 x $\frac{5}{8}$	4
21	A27395-4	Identification Plate 2/screws		1
22	15535	Friction Shoe Assembly	includes items 9, 10, 11, 14	
23	*1750631-	Complete Starter (no longer available)	For replacement order 100049 — 5" starter	1

**REWIND STARTER
HEAVY DUTY**



ITEM	PART NO.	NAME	DESCRIPTION	QTY.
1	100157	Cover Assembly		1
2	100155	Rewind Spring		1
3	100154	Rotor		1
4	15525	Cord and Clip		1
(5.6.7.)	15540	Handle with Insert and Washer		1
8	15504	Brake Spring		1
9	15510	Steel Washer		2
10	15543	Fiber Washer		2
11	15535	Friction Shoe Assembly		1
12	15513	Snap Ring		1
13	174456	Cup & Screen		1
14	100049	Heavy Duty Pull Starter — Complete N.S.		

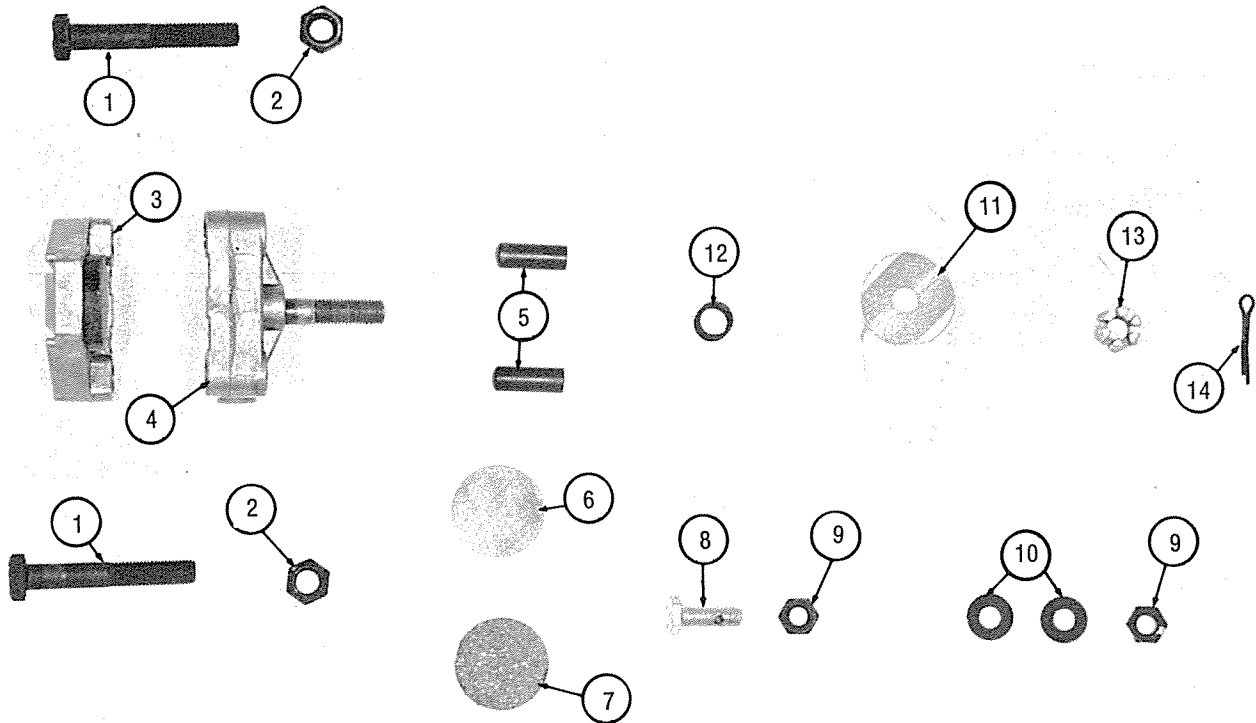
DUAL FRONT BRAKE CALIPER — ALL MODELS



DUAL FRONT BRAKE CALIPER — ALL MODELS

ITEM	PART NO.	NAME	DESCRIPTION	QTY.
1	100150	Caliper Mtng. Screw		2
2	100551	Caliper Mtng. Nut		2
3	*	Backing Plate	Not Aval. Order Part #100131	1
4	*	Carrier Plate	Not Aval. Order Part #100131	1
5	100479	Cam Follower		2
6	100483	Puck Disc		1
7	100481	Brake Puck		2
8	100509	Screw	Special w/hole	1
9	100169	Nut	1/4-28	2
10	100254	Washer	1/4" Flat	2
11	100202	Washer		1
12	100135	Cam Lever		1
13	100471	Spring		1
14	100008	Nut special	Castelated	1
15	101673	Hitch Pin		1
16	100131	Brake Assy.	Not Shown Incl. 1-7 & 11-15	1

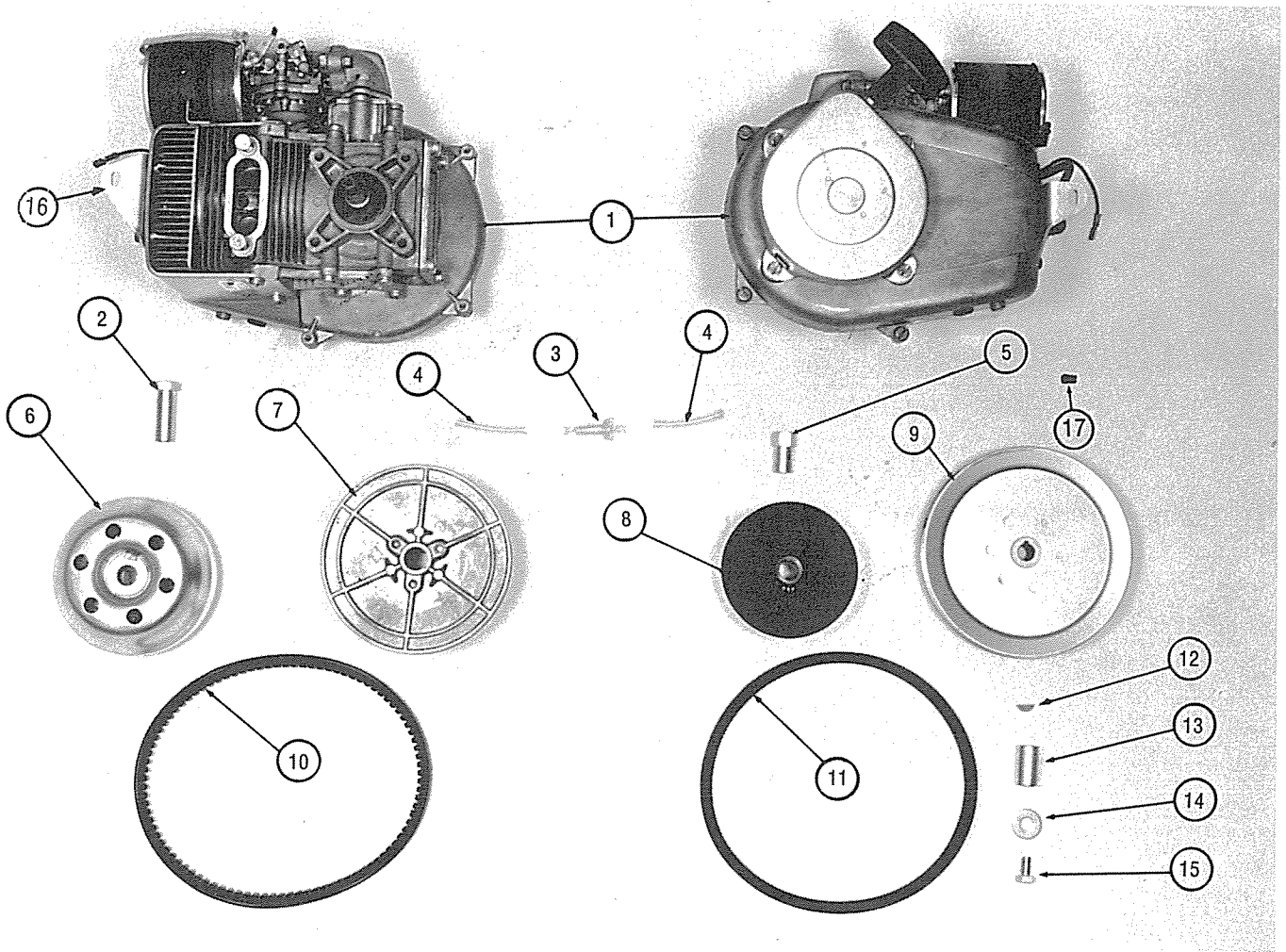
REAR BRAKE CALIPER — ALL MODELS



REAR BRAKE CALIPER — ALL MODELS

ITEM	PART NO.	NAME	DESCRIPTION	QTY.
1	100150	Caliper Mtng. Screw		2
2	100551	Caliper Mtng. Nut		2
3	*	Backing Plate	Not Aval. Order #100484 Brake Assy	1
4	*	Carrier Plate	Not Aval. Order #100484 Brake Assy	1
5	100479	Cam Follower		2
6	100483	Puck Disc		1
7	100481	Brake Puck		2
8	100509	Screw	Special w/hole	1
9	100169	Nut	1/4-28	2
10	100254	Washer	1/4" Flat	2
11	100136	Cam Lever		1
12	100471	Spring		1
13	100008	Nut	Castelated, Special	1
14	101673	Hitch Pin		1
15	100484	Brake Assy, Rear	Not Shown Incl. 1-14	1

ENGINE POWER TRAIN



ENGINE POWER TRAIN

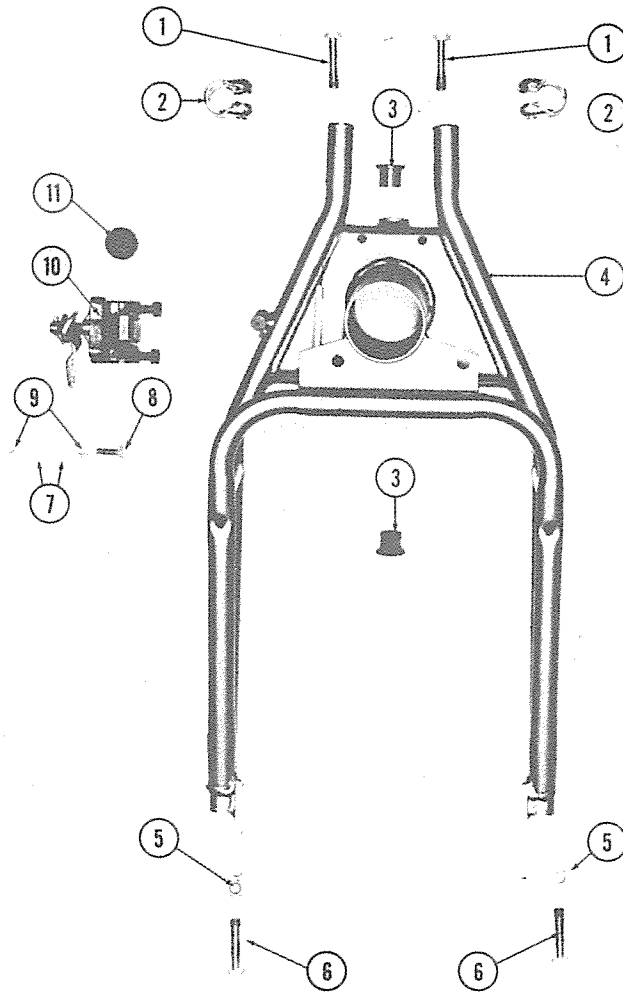
ITEM	PART NO.	NAME	DESCRIPTION	QTY.
1	100265	Engine Assy.	Chrysler 82007 (134cc) Incl-3, 4	1
2	100493	Engine Shaft Nut		1
3	100125	Fuel Filter		1
4	100123	Fuel Line		1
5	100052	Clutch Bolt		1
6	100883	Torque Converter	Front	1
7	100884	Torque Converter	Rear	1
8	100050	Clutch Kickstart		1
9	100260	Pulley	7"	1
10	100539	Belt	Torque Converter	1
11	100262	B-Belt	Std. Shift Only	1
12	100760	Key	#5 Woodruff	1
13	100261	Pulley Retainer		1
14	100208	Washer	$\frac{3}{8}$ " Flat	1
15	100572	Hex Head Cap Screw	$\frac{3}{8}$ " — 24 x $\frac{5}{8}$ "	1
16	100231	Cylinder Head Bracket		1
17	100198	Set Screw	For 7" Pulley	1

* Not Supplied as a single part

X - Assembly

N.S. - Not Shown

FRONT FORK - MK III EXP.



FRONT FORK — MK III EXP.

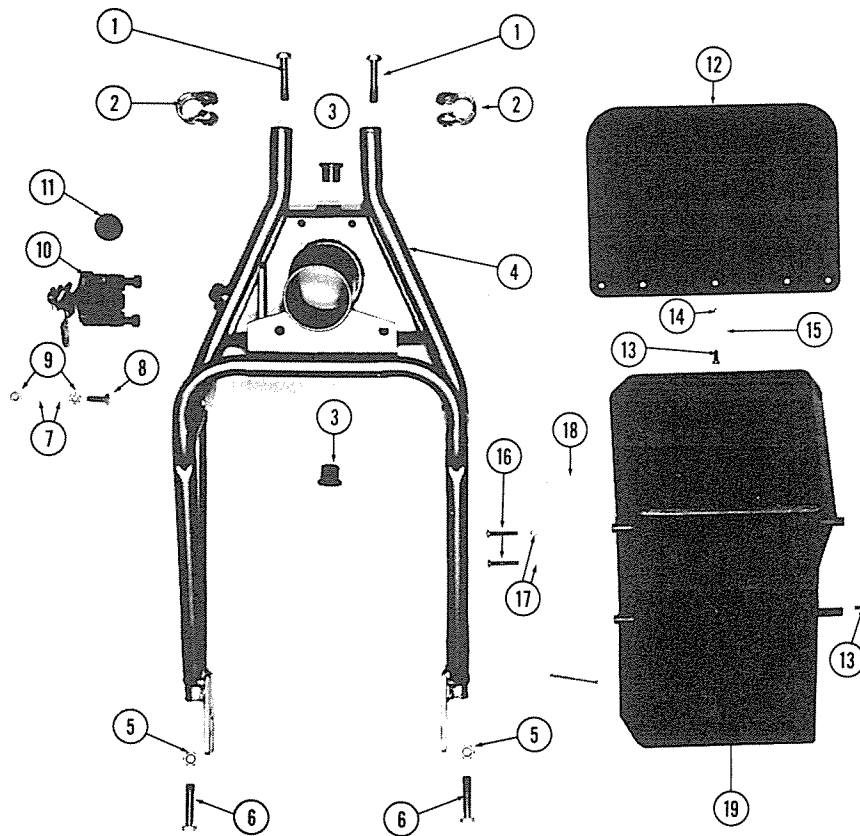
ITEM	PART NO.	NAME	DESCRIPTION	QTY.
1	101181	Screw	$\frac{3}{8}$ — 24 x $1\frac{1}{4}$	2
2	100031	Handle Bar Clamp		2
3	100097	King Pin Bushing		2
4	100119	Front Fork — Assy.	MK III Exp. Incl. Item 3	1
5	100036	Nut	$\frac{3}{8}$ — 24 Jam	2
6	100573	Screw	$\frac{3}{8}$ — 24 x $1\frac{3}{4}$	2
7	100254	Washer	$\frac{1}{4}$ Flat	2
8	100509	Screw	$\frac{1}{4}$ — 28 x $\frac{3}{4}$ W/Hole	1
9	100169	Nut	$\frac{1}{4}$ — 28 Hex	2
10	100131	Brake Caliper		1
11	100481	Brake Puck		2

* Not Supplied as a single part

X - Assembly

N.S. - Not Shown

FRONT FORK - MK IV STD. & MK IV AUTO.



FRONT FORK — MK IV STD. & MK IV AUTO.

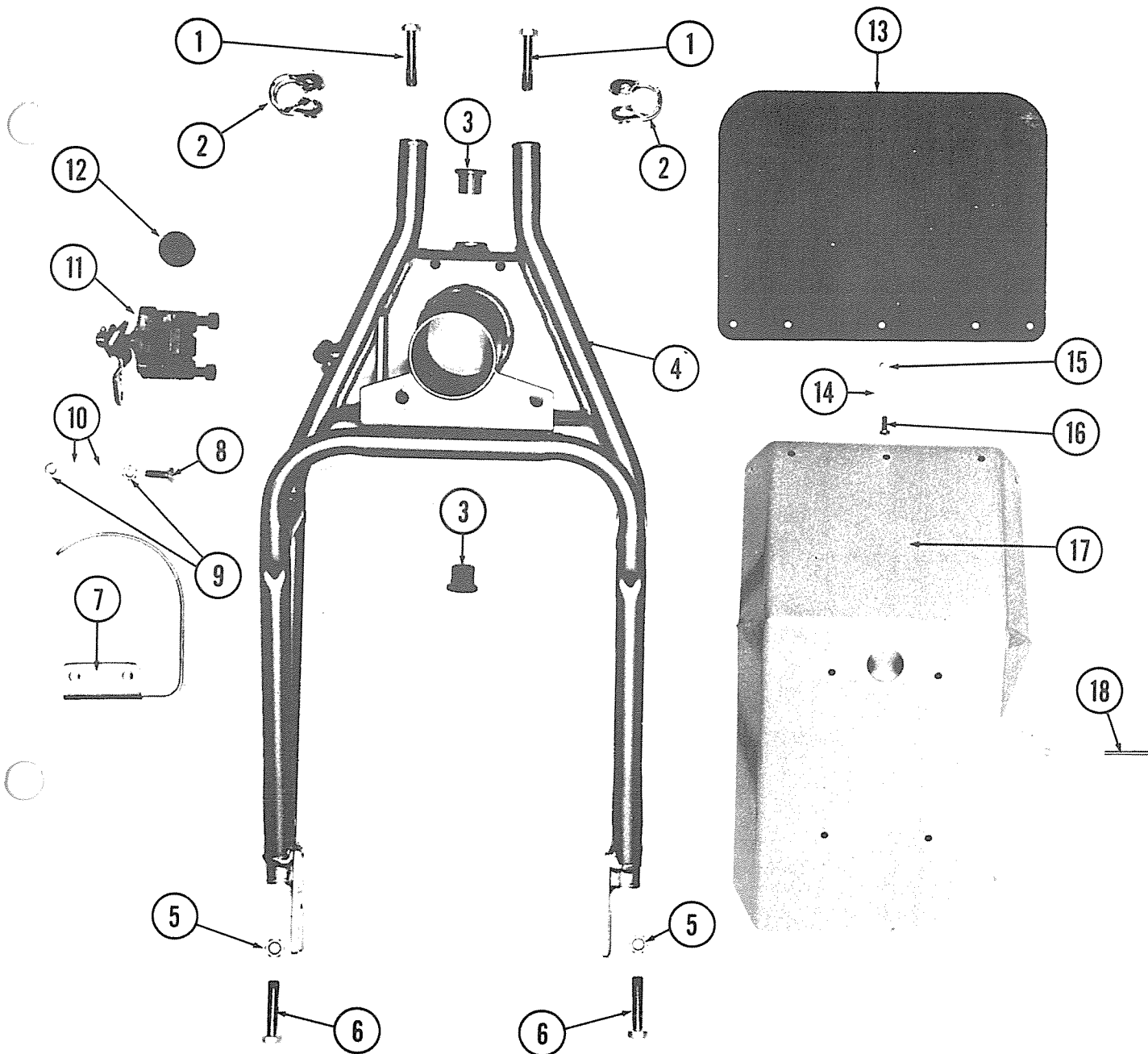
ITEM	PART NO.	NAME	DESCRIPTION	QTY.
1	101181	Screw	$\frac{3}{8}$ — 24 x $1\frac{3}{4}$	2
2	100031	Handle Bar Clamp		2
3	100097	King Pin Bushing		2
4	100676	Front Fork	Mk IV Std. & Auto.	1
5	100036	Nut	$\frac{3}{8}$ — 24 Jam	2
6	100573	Screw	$\frac{3}{8}$ — 24 x $1\frac{3}{4}$	2
7	100254	Washer	$\frac{1}{4}$ Flat	2
8	100509	Screw	$\frac{1}{4}$ — 28 x $\frac{3}{4}$ w/hole	1
9	100169	Nut	$\frac{1}{4}$ — 28 Hex	2
10	100131	Brake Caliper		1
11	100481	Brake Puck		2
12	100427	Mud Flap		1
13	100034	Screw	Pan Head 10-32 x $\frac{1}{2}$	5
14	100037	Nut	10 — 32	5
15	100165	Washer	#10 Flat	5
16	100284	Screw	10 — 32 x $1\frac{1}{4}$	2
17	100037	Lock Nut	10 — 32 — self lock	2
18	100432	Sprocket Guard		1
19	100396	Front Fender — Weldment	Mk IV Std. & Auto	1
20	100675	Front Fork Assy.	Incl. Items — 1, 3, 4, 5, 7, 8, 9, 10 N. S.	

* Not Supplied as a single part

X - Assembly

N.S. - Not Shown

FRONT FORK — MK III AUTO. — RANGER & SCOUT



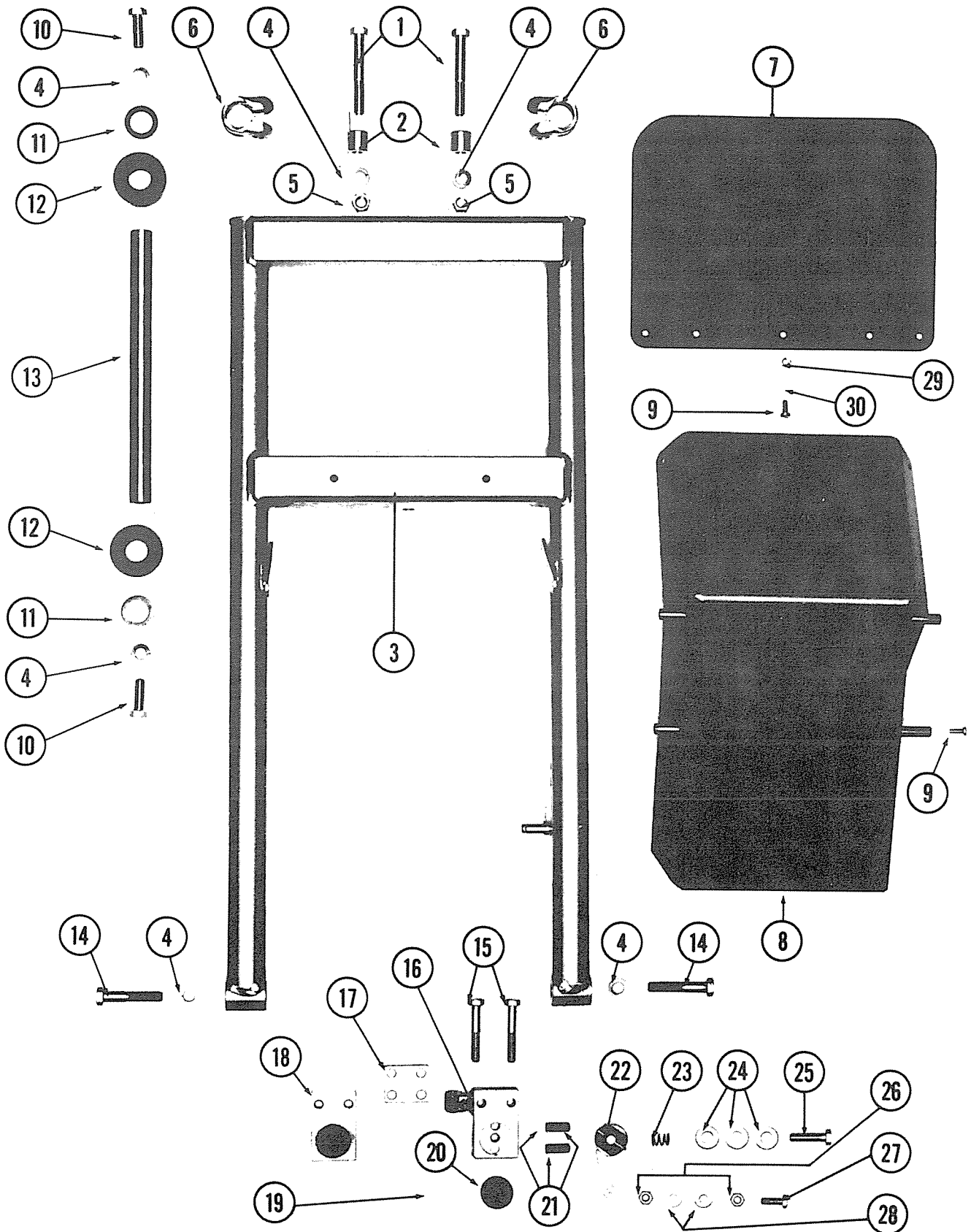
ITEM	PART NO.	NAME	DESCRIPTION	QTY.
1	101181	Screw	$\frac{3}{8}$ — 24 x $1\frac{3}{4}$	2
2	100031	Handle Bar Clamp		2
3	100097	King Pin Bushing		2
4	100642	Front Fork — Weldment	MK III Auto.	1
5	100036	Nut	$\frac{3}{4}$ — 24 Jam	2
6	100573	Screw	$\frac{3}{8}$ — 24 x $1\frac{3}{4}$	2
7	100809	Disc Brake Guard		1
8	100509	Screw	$\frac{1}{4}$ — 28 x $\frac{3}{4}$ w/hole	1
9	100169	Nut	$\frac{1}{4}$ — 28 — Hex	2
10	100254	Washer	$\frac{1}{4}$ Flat	2
11	100131	Brake Caliper		1
12	100481	Brake Puck		2
13	100427	Mud Flap		1
14	100165	Washer	#10 Flat	9
15	100037	Nut	10 — 32 Selflock	9
16	100034	Screw	Pan Hd. 10 — 32 x $\frac{1}{2}$	5
17	100453	Front Fender	Mk III Auto.	1
18	100284	Screw	10 — 32 x $1\frac{1}{4}$	4
19	100817	Front Fork Assy.	Incl. Items 3-6 and 8-11	1

* Not Supplied as a single part

X - Assembly
21

N.S. - Not Shown

FRONT FORK - RT 140



FRONT FORK — RT 140

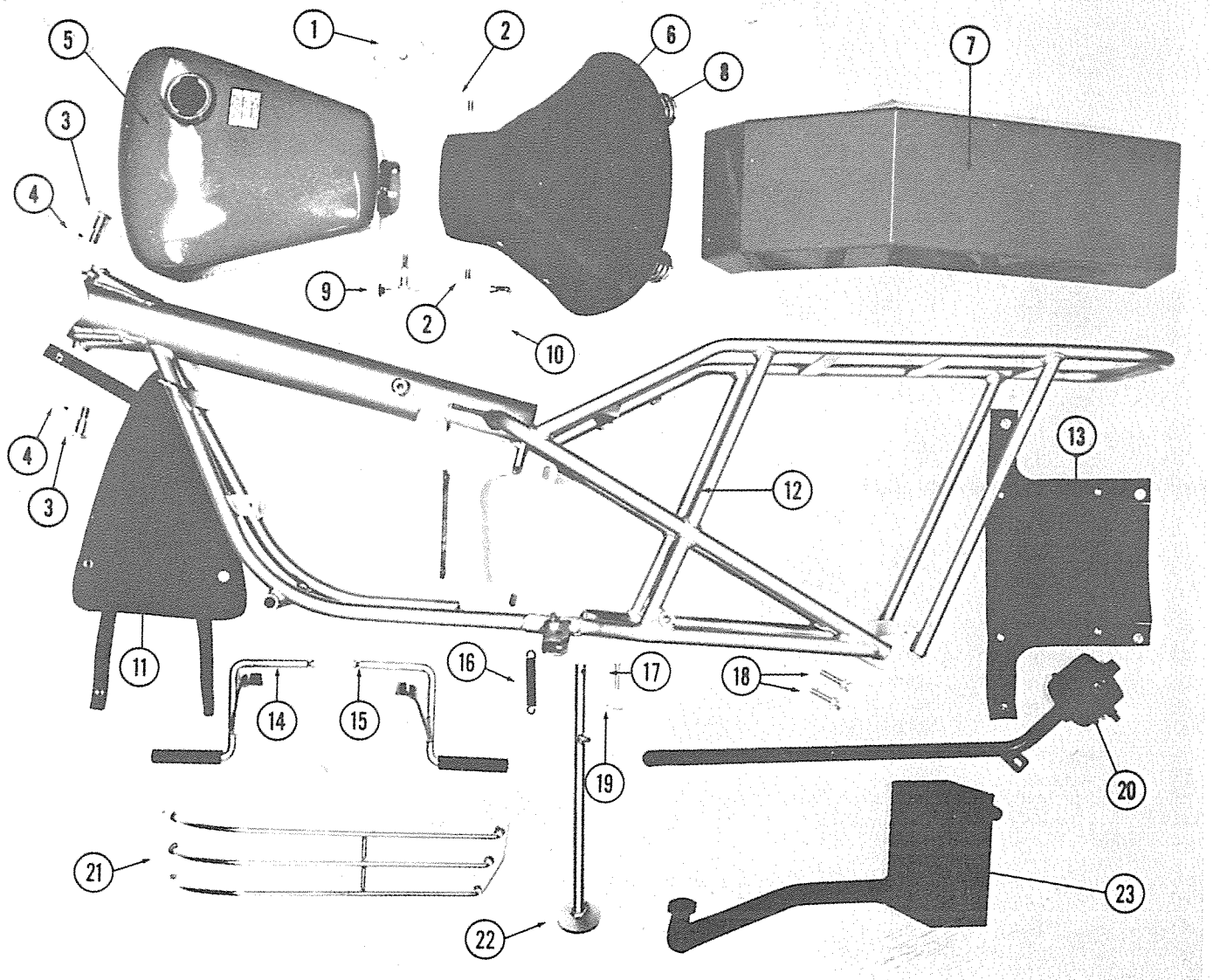
ITEM	PART NO.	NAME	DESCRIPTION	QTY.
1	100571	Screw	$\frac{3}{8}$ — 24 x 2 $\frac{1}{2}$	2
2	100522	Spacer		2
3	100596	Fork	Weldment	1
4	100288	Washer	$\frac{3}{8}$ Spring L/W	6
5	100212	Nut	$\frac{3}{8}$ — 24	2
6	100031	Handle Bar Clamp		2
7	100427	Mud Flap		1
8	100771	Fender	Front	1
9	100034	Screw	10 — 32 x $\frac{1}{2}$	9
10	100214	Screw	$\frac{3}{8}$ — 24 x 1	2
11	100853	Shim		2
12	100772	Wheel Bearing		2
13	100405	Steering Shaft		1
14	100574	Screw	$\frac{3}{8}$ — 24 x 2	2
15	100150	Screw	$\frac{5}{16}$ — 24 x 2	2
16	100146	Caliper Cam Side		1
17	100474	Spacer		1
18	100476	Caliper Wheel Side		1
19	100483	Disc Puck		1
20	100481	Puck	Brake	2
21	100479	Cam Follower		1
22	100135	Cam Lever		1
23	100471	Cam Return Spring		1
24	100207	Washer	$\frac{5}{16}$ — Flat	3
25	100151	Screw	$\frac{5}{16}$ — 24 x 1 $\frac{1}{4}$	1
26	100169	Nut	$\frac{1}{4}$ — 28	5
27	100509	Screw Special	With Hole	1
28	100254	Washer	$\frac{1}{4}$ — Flat	2
29	100037	Nut	10 — 32 — Self Lock	5
30	100165	Washer	± 10 Flat	5
31	100388	Front Caliper Assy.	Inc. 15,16,17,18,19,20,21, 22,23,24,25,26,27,28	

* Not Supplied as a single part

X - -Assembly

N.S. - Not Shown

FRAME COMPONENTS - MK III EXP.



FRAME COMPONENTS — MK III EXP. — 1966-1974

ITEM	PART NO.	NAME	DESCRIPTION	QTY.
1	100130	Fuel Tank Cap - (order 100958)		1
2	100572	Screw	$\frac{3}{8}$ — 24 — $\frac{3}{8}$ Hex	2
3	102774	King Pin Bolt		2
4	100198	Set Screw	10 — 32 x $\frac{1}{4}$	2
5	100438	Fuel Tank		1
6	100134	Seat Assy.	Incl. Springs & Hdw.	1
7	100822	Rear Fender		1
8	100133	Seat Spring		2
9	100122	Fuel Valve Shut Off	Push-pull	1
10	100124	Clamp	2 $\frac{5}{16}$ — 3 $\frac{1}{2}$	1
11	100501	Mud Shield	On frame	1
12	100020	Frame	Weldment	1
13	100810	Rear Mud Shield		1
14	100181	Foot Rest	Left — Incl. Rubber	1
15	100180	Foot Rest	Right — Incl. Rubber	1
16	100223	Parking Stand Spring		1
17	100285	Clevis Pin	$\frac{5}{16}$ x $1\frac{3}{8}$	1
18	100175	Wheel Adj.	Screw & Jam Nut	2
19	100290	Cotter Pin	$\frac{1}{8}$ x $\frac{3}{4}$	1
20	100827	Spark Arrester	Arrester & Tail Pipe — assy.	1
21	100660	Drive Guard		1
22	101341	Parking Stand		1
23	100826	Exhaust System	Flange, Pipe & Muffler	1
24	100118	Fuel Tank Assy.	Incl. Items 1, 9, 5, 25, 26	N.S. 1
25	100193	Decal	Name — Trail Breaker	N.S. 2
26	100503	Decal	Fuel & Shift	N.S. 1
27	100133	Seat Spring Separate		N.S. 2
28	100034	Fender Screw	10 — 32 x $\frac{1}{2}$	N.S. 5
29	100037	Fender Nut	10 — 32 — Self Lock	N.S. 5
30	100166	Fender Screw — top	$\frac{1}{4}$ — 28 x 1	N.S. 1
31	100169	Fender Nut — top	$\frac{1}{4}$ — 28	N.S. 1
32	100281	Fender Washer — top	$\frac{1}{4}$ Spring L/W	N.S. 1
33	100165	Washer	± 10 Flat	N.S. 5
34	100196	Foot Rest Rubber	All Models	N.S. 2
35	100273	Foot Rest Retaining Screw	10 — 32 x $\frac{1}{4}$ Lock Rest	N.S. 2
36	100275	Foot Rest Retaining Washer	± 10 Internal Tooth	N.S. 2
37	100126	Fuel Tank Mounting — Screw	$\frac{1}{4}$ — 20 x $\frac{3}{8}$ — Base Mount	N.S. 2
38	100281	Fuel Tank Mounting Washer	$\frac{1}{4}$ Spring L/W Base Mount	N.S. 2
39	100038	Exhaust Manifold Bolts	5/16-18 x 7/8	N.S. 2
40	100163	Spark Arr. Drain Plug	Pipe Plug	N.S. 1

* Not Supplied as a single part

X - Assembly

N.S. - Not Shown